



GEMKHANA 2020

COMPETITION SCHEDULE AND CONDITIONS

GEMKHANA 2020 – COMPETITION SCHEDULE AND CONDITIONS

GENERAL CONDITIONS

1. This is a Level 3 Competition and will be judged in accordance with the rules and definitions of the *Competitor & Judging Manual for Lapidary and Allied Competitions Issue no. 8 April 2015*. (referred to in this Schedule as the Manual), unless otherwise stated in this Schedule.
2. All competitors are advised to familiarise themselves with all the “Conditions for Competitors” in the Manual (particularly pages 5 to 13)
3. Competitors should be aware of, or check their eligibility to enter a Novice or Intermediate Division either by: -
 - Reading Section B4 of the manual (pages 6 & 7) relating to Competition Divisions, or by
 - checking the updated results list on the AFLACA website (<http://aflaca.org.au>)
4. Enquiries, correspondence and ALL POSTAL ENTRIES relating to this Competition should be directed to:

GEMKHANA Competition Committee 2020

P.O. Box 109

Gymea NSW 2227

Phone enquiries to Colin Wright: 0418 286 003

5. Maximum number of entries allowed is two (2) per person per section except for Showcase Sections where only one entry per person is allowed.
6. It is the Competitor’s responsibility to ensure that their entries are entered in the correct section and that the sections are correctly marked on the Entry Form. If in doubt ring the Competition Committee.

However, the Competition Committee may transfer an entry into another section if they are of the opinion that it has obviously been entered in the incorrect section.

7. Entry Fees: - \$1.00 per entry for the first 10 entries, thereafter free.
(Payable by cheque or money order to Gem & Lapidary Council of NSW Inc)
8. All entries not being collected in person at the GEMKHANA must be accompanied by the **cost of return** post or **pre-paid post bag** included with the entry form (see Page 13).
9. While every care will be taken, the GEMKHANA 2020 Committee will not accept any responsibility for the loss or damage of any entries or exhibits that may occur in transit or whilst in the possession of the GEMKHANA 2020 committee.
10. Competitors and exhibitors are responsible for the insurance of their entries or exhibits while in transit, and whilst in the possession of the GEMKHANA 2020 Committee.

11. How to enter the Competition – Sections 1 to 4, 8 to 13 and 18 to 26

- a. Package up your entries to cushion them from damage whilst in transit – also see SC3.
- b. Fill out an official entry form – see page 13 of this Schedule.
- c. If you want acknowledgement of receipt of your entries, include a stamped, self-addressed envelope.
- d. Organise a cheque or money order payable to the Gem & Lapidary Council of NSW Inc for the entry fees (and return express postage if you are not collecting the entries in person at the Gemkhana.
- e. Submit your Entries + Entry Form + All fees to the Competition Committee.
This can either be: -

- By Express post to
GEMKHANA 2020 Committee
P.O. Box 109
GyMEA NSW 2227

They must be received by Friday 14th August 2020

- By hand delivery to
Port Hacking Lapidary Club
Rear 39 GyMEA Bay Rd.,
GyMEA

Between 8.00 am and noon on Saturday 15th August 2020

NOTE that late entries will not be eligible for competition and will be returned.

12. How to Enter the Competition – Sections 5, 16, 17, 29, 32, 34 and showcases

- a. Send your Entry Form and All Entry Fees to **arrive by Friday 14th August 2020** to:-
GEMKHANA 2020 Competition Committee
P.O. Box 109
GyMEA NSW 2227
- b. Hand deliver the entries to the Competition committee in the Competition Hall **at the GEMKHANA 2020 VENUE** between **1pm and 5pm on Friday 25th September 2020**
- c. Note that entries in Sections 29, 32 & 34 must be set up and ready in the Exhibition Hall by **5.00pm Friday 25th September 2020**

13. Judging, Judging Sheets and Entry Pickup

- a. Entries in Sections 1 to 4, 8 to 13, 18 to 26 will be judged prior to the GEMKHANA.
- b. Entries in Sections 5, 16, 17, 29, 32, and 34 will be judged at the GEMKHANA.
- c. Judging Sheets may be collected from the Competition Office between 10am and 12 noon on **Sunday 27th September 2020**
- d. Entries may be collected between 9am and 11am on **Monday 28th September 2020**
- e. Entries not collected will be returned to the competitor in the manner specified on the entry form together with the applicable judging sheets.

14 SPECIAL CONDITIONS (SC)

SC1 – Sizes and Tolerances

Where an entry does not conform to the size conditions in this Schedule or the Manual it will be ruled ineligible and not judged. Refer to section definitions in the Schedule and the Manual for allowable tolerances.

SC2 – Carving (Section 5)

Each entry must have a label which best describes the exhibit for the viewer's interest including the material used. These labels will not be judged.

SC3 - Facet Entries (Section 8 to 11)

- a. All chosen designs have either been previously used in competitions or have been successfully test cut using instructions given
- b. **ALL** Facets are **FLAT**, any entry with Concave or Curved facets (except Section 8A continuous girdle) will be disqualified and will NOT be judged.
- c. **Minimum size** is 6mm measured across shortest axis of outline shape at the girdle, or as " **indicated on design sheet**".
- d. Each faceted stone must be entered in a display box and this box must contain a label which contains only the following details:
 - Section Number
 - Material used
 - Colour of material
 - Size of stone

SC4 – Tumbled Stones (Section 12A)

Please read page 19 (D2.2) and page 55 (D12.1) of the Manual for definition of this section.

SC5 – Jewellery (Sections 18 – 26)

Competitors should carefully read Part E of the Manual in relation to all Jewellery Sections.

15 TROPHIES AND MEDALLIONS

1. Medallions and prize cards will be awarded for 1st, 2nd, and 3rd placed entries. Highly Commended will receive a prize card only.
2. At the Committee's discretion, where there are insufficient entries in a Novice or Intermediate Sections, a Special Award May be nominated and such an award will not exclude a competitor from entering the same section in future competitions.
3. To be eligible in winning a 'Dick Moppett Trophy: in faceting, entries must achieve a minimum of 70 points for Novice and 90 points for Open.
4. Annual Trophies may be awarded in the following categories: -

SPECIAL ONE-OFF TROPHIES

Donated by Gem & Lapidary Council of NSW

- | | |
|-----------------|--|
| Section N-1A.3 | Novice Standard Cabochon -C/S-Highest Score |
| Section O-13.1 | Open Polished Face-Flat Surface-Highest Score |
| Section N-19A.2 | Novice Cast Jewellery not intended to include Lapidary, Fossil or Mineral Item/s-Highest Score |

THE JOAN BALL TROPHIES

- | | |
|-----------------|--|
| Section O-26B.1 | Open Enamelled Jewellery without Mount
-Highest Score |
| Section O-17.1 | Open Novelty Gem craft-Highest Score |

THE ALAN COULTON TROPHY

- | | |
|-----------------|---|
| Section O-20A.1 | Open Cast Jewellery using Natural Objects as Patterns
-Highest Score |
|-----------------|---|

5. Perpetual Trophies may be awarded for the following :-

THE BORIS NOVIC TROPHY

Section O-2A.1 The competitor with the highest score in Section O-2A.1 Double Standard Cabochon – C/S

THE DICK MOPPETT TROPHY – NOVICE

Sections N-8B.3 & N-9A.3 For the Novice competitor with the highest aggregate point for two (2) faceted stones - one shall be **STANDARD BRILLIANT** and the other a **STANDARD STEP CUT**. Note that each entry must achieve a minimum standard of **70 points**.

THE DICK MOPPETT TROPHY – OPEN

Sections O-8B.1 & O-9A.1 For the Open Competitor with the highest aggregate points for two (2) faceted stones – one shall be **STANDARD BRILLIANT** and the other a **STANDARD STEP CUT**. Note that each entry must achieve a minimum standard of **90 points**.

THE ARTHUR ROFFEY TROPHY for “BEST MINERAL IN SHOW”

(As selected by the donor)

THE FRANK LANDER TROPHY for MOST SUCCESSFUL COMPETITOR

Points are awarded as:- 1st place – 6 points 2nd place – 4 points 3rd place – 2 points .
Highly Commended = 1 point. Special Award – 6 points

THE FRANK HALL TROPHY for MOST SUCCESSFUL CLUB

Points awarded as:- 1st place – 6 points, 2nd place – 4 points, 3rd place – 2 points.
Highly commended – 1-point, Special award – 6 points. Entries within 75% of the winning entry's score – 1 point.

GEMKHANA 2020 – COMPEITION SCHEDULE AND CONDITIONS

Judging will be in accordance with the AFLACA Competition and Judging Manual Issue No. 8

O= Open I = Intermediate N = Novice J = Junior TR = Trophy

C/S = Craftsmanship A/A = Aesthetic Appeal SC = Special Condition Applies

Standard Cabochon – Must not pass through a 15mm hole (SCI)

O-1A.1	Standard Cabochon	C/S – Any Material	
I-1A.2	Standard Cabochon	C/S – Any Material	
N-1A.3	Standard Cabochon	C/S – Any Material	TR
J-1A.4	Standard Cabochon	C/S - Any Material	
O-1A.5	Standard Cabochon	A/A Ribbon Stone	
I-1A.6	Standard Cabochon	A/A Ribbon Stone	
N-1A.7	Standard Cabochon	A/A Ribbon Stone	
J-1A.8	Standard Cabochon	A/A Ribbon Stone	

Fancy Cabochon – Minimum Dimension to be not less than 30mm on the longest Dimension across the outline shape (SCI)

O-1B.1	Fancy Cabochon	C/S – Any Material
I-1B.2	Fancy Cabochon	C/S – Any Material
N-1B.3	Fancy Cabochon	C/S – Any Material
J-1B.4	Fancy Cabochon	C/S – Any Material
O-1B.5	Fancy Cabochon	A/A – Tiger Eye
I-1B.6	Fancy Cabochon	A/A – Tiger eye
N-1B.7	Fancy Cabochon	A/A – Tiger Eye
J-1B.8	Fancy Cabochon	A/A – Tiger Eye

Double Standard Cabochon - must not pass through a 15mm hole (SCI)

O-2A.1	Double Standard Cabochon	C/S – Any material	TR
I-2A.2	Double Standard Cabochon	C/S – Any material	
N-2A.3	Double Standard Cabochon	C/S – Any material	

Double Fancy Cabochon – Must not pass through a 15 mm hole (SCI)

O-2B.1	Double Fancy Cabochon	C/S – Any Material
I-2B.2	Double Fancy Cabochon	C/S – Any Material
N-2B.3	Double Fancy Cabochon	C/S – Any Material

Freeform – Must not pass through 15mm hole (SCI)

O-3.1	Freeform	C/S – Any Material
I-3.2	Freeform	C/S – Any Material
N-3.3	Freeform	C/S – Any Material
J-3.4	Freeform	C/S – Any Material

Opal Freeform – Must not pass through 10mm hole (SCI)

O-3.5	Freeform	C/S – Opal Solid
N-3.6	Freeform	C/S – Opal Solid

Opal Doublets- Must not pass through 10mm hole (SCI)

O-4A	Opal Doublet – Flat Top
O-4B	Opal Doublet – Domed Top

Carving – Hardness under 4 – Minimum size 50mm on the longest dimension (excluding base or mount) – Maximum size 300mm (including base of mount) (SCI and SC2)

O-5A.1	Carving – 3 dimensional
N-5A.2	Carving – 3 dimensional

Carving – Any Hardness – Minimum size 50mm on the longest dimension (excluding base or mount) Maximum size 300mm (including base or mount) (SC1 and SC2)

O-5B.1	Carving – in relief
N-5B.2	Carving – in relief

Carving – any hardness – minimum size 50 mm on the longest dimension (excluding base or mount) – maximum size 300mm (including base or mount) (SCI and SC2)

O-5E.1	Carving not otherwise specified in Groups 5A to 5D
N-5E.2	Carving not otherwise specified in Groups 5A to 5D

Facet Cuts – Minimum size 6mm on shortest axis of outline shape (or as indicated on design sheet)– Groups 8, 9, 10 and 11 – (SC1 and SC3)

O-8B.1, I-8B.2, N-8B.3	Standard Round Brilliant with continuous girdle	Any Clear Quartz	TR
O-9A.1, I-9A.2, N-9A.3	Square Step Cut with Cut corners	MM Coloured Spinel	TR
O-10.1	Modified Standard Cut – BARION OVAL	MM Coloured Spinel	
O-10.2	Modified Standard Cut – SQUARE CUSHION	MM Coloured Cubic Zirconia	
I-10.3	Modified Standard Cut – EASY CUSHION	Any Topaz	
I-10.4	Modified Standard Cut – MIXED CUT	MM Coloured Cubic Zirconia	
N-10.5	Modified Standard Cut – HEXABRILL BARION	MM Coloured Corundum	
N-10.6	Modified Standard Cut – USFG-1	MM Coloured Spinel	
J-10.7	Modified Standard Cut – JUNIOR ASHER CUT	Any clear Quartz	
O-11.1	Fancy Cut - NAFC-2005	MM Colourless Corundum	
I-11.2	Fancy Cut – MINI HEXAGON APEX	MM Coloured Spinel	
N-11.3	Fancy Cut - OLD MINE BARION	MM Coloured Cubic Zirconia	

Tumbled Stones – must not be able to pass through a 15mm diameter hole (SC4)

O-12A.1	Tumbled Stones – Preformed Shape	Group of 3 different materials
N-12A.2	Tumbled Stones – Preformed Shape	Group of 3 – Any material

Polished Face – Minimum size 50mm across shortest axis – Maximum size 300mm on any dimension

O-13.1	Polished Flat Surface	C/S	TR
N-13.2	Polished Flat Surface	C/S	
J-13.3	Polished Flat Surface	C/S	
O-14.1	Polished Curved Surface	A/A	
N-14.2	Polished Curved Surface	A/A	
J-14.3	Polished Curved Surface	A/A	

Gem Trees -Min must not fit into a 150 mm cube, Max must fit into a 300 mm cube (SC1)

O-16.1	Gem Tree
N-16.2	Gem Tree

Novelty Gemcraft – Minimum size 50mm on the longest dimension excluding base (SC1)

O-17.1	Novelty Gem craft		TR
N-17.2	Novelty Gem craft		

Hand Fabricated and Wire Wrapped Jewellery (SC5)

O-18A.1	Hand Fabricated Jewellery Specimen (s)	NOT intended to include Lapidary, Fossil or Mineral	
I-18A.2	Hand Fabricated Jeweller – Specimen (s)	NOT intended to include Lapidary, Fossil or Mineral	
N-18A.3	Hand Fabricated Jewellery – Mineral Specimen (s)	NOT intended to include Lapidary, Fossil or Mineral	
O-18B.1	Hand Fabricated Jewellery--	WITH lapidary Item (s) cut and set by entrant	
I-18B.2	Hand Fabricated Jewellery –	WITH lapidary item(s) cut and set by entrant	
N-18B.3	Hand Fabricated Jewellery –	WITH lapidary item(s) cut and set by entrant	
O-18E.1	Wire Wrapped Jewellery-	WITH Lapidary, Fossil or Mineral Items(s) prepared/ set by entrant	
N-18E.2	Wire Wrapped Jewellery	WITH Lapidary. Fossil or Mineral Item (s) prepared/ Set by entrant	

Cast Jewellery – using Patterns, mould or Dies MADE BY ENTRANT (SC5)

O-19A.1	Cast Jewellery	NOT intended to include Lapidary Fossil or Mineral Item(s)	
N-19A.2	Cast Jeweller	NOT intended to include Lapidary Fossil or Mineral Item(s)	TR

Metal Clay Jewellery – using Patterns, Moulds or Dies MADE BY ENTRANT (SC5)

O-19E.1	Metal Clay Jewellery	NOT intended to include Lapidary, Fossil or Mineral Item(s)	
N-19E.2	Metal Clay Jewellery	NOT intended to include Lapidary Fossil or Mineral Item(s)	

Cast Jewellery – using Natural Objects as Patterns (SC5)

O-20A.1	Cast Jewellery	NOT intended to include Lapidary Fossil or Mineral Item(s)	TR
N-20A.2	Cast Jewellery	NOT intended to include Lapidary Fossil or Mineral Item(s)	

Metal Clay Jewellery – using natural Object as Patterns (SC5)

- O-20E.1 Metal Clay Jewellery **NOT** intended to include lapidary, fossils or minerals
N-20E.2 Metal Clay Jewellery **NOT** intended to include lapidary, fossils or minerals

Cast Jewellery – using Commercial Wax Models or Patterns (SC5)

- O-21B.1 Cast Jewellery **WITH** Lapidary Item(s) Cut and Set by Entrant
N-21B.2 Cast Jewellery **WITH** Lapidary Item(s) Cut and Set by Entrant

Metal Clay Jewellery – using Commercial Wax Models or Patterns (SC5)

- O-21G.1 Metal Clay Jewellery **WITH** Commercial Lapidary Item(s) set by Entrant
N-21G.2 Metal Clay Jewellery **WITH** Commercial Lapidary Item(s) set by Entrant

Combined Jewellery – with Lapidary Items cut and set by Entrant (SC5)

- O-23B.1 Combined Jewellery **WITH** lapidary items cut & set by Entrant

Enamelled Jewellery in Hand Fabricated Setting (SC5)

- O-24A.1 Enamelled Jewellery in hand fabricated setting
N-24A.2 Enamelled Jewellery in hand fabricated setting

Commercial Mount Jewellery (SC5)

- O-25.1 Commercial Mount Jewellery **WITH** Lapidary item(s) cut and set by entrant
I-25.2 Commercial Mount Jewellery **WITH** Lapidary item(s) cut and set by entrant
N-25.3 Commercial Mount Jewellery **WITH** Lapidary item(s) cut and set by entrant

Enamelling Sections (SC5)

- O-26A.1 Enamelled Jewellery in Commercial Mount
N-26A.2 Enamelled Jewellery in Commercial Mount
O-26B.1 Enamelled Jewellery without Mount **TR**
N-26B.2 Enamelled Jewellery without Mount
O-26C.1 Enamelling – non-Jewellery
N-26C.2 Enamelling – non-Jewellery

Showcases

O-29B.1 Showcase General – LIT

Fossils

O-32A.1 Fossils Non-Display – Any Locality

N-32A.2 Fossils Non-Display Any locality

O-32B.1 Fossils Non-Display Group of 3 Invertebrates

N-32B.2 Fossils Non-Display Group of 3 Invertebrates

Minerals

O-34A.1 Mineral Non-Display Single Specimen Any Locality Cabinet Size

N-34A.2 Mineral Non-Display Single Specimen Any Locality Cabinet Size

O-34A-3 Mineral Non-Display Single Specimen Any Locality Miniature

N.34A.4 Mineral Non-Display Single Specimen Any Locality Miniature

O-34B.1 Mineral Non -Display Group of Three Any Locality Thumbnail

N-34B.2 Mineral Non -Display Group of Three Any Locality Thumbnail

GEMKHANA 2020 OFFICIAL ENTRY FORM

Mail to : The Competition Committee

PO Box 109, Gympie NSW 2227

Postal entries: All Entry Forms and fees must be RECEIVED BY THE COMMITTEE BY FRIDAY 14th August 2020

COMPETITOR DETAILS

Name:.....

Email:.....

Address:.....

State:.....Postcode:.....Personal Contact No:.....

Full Club Details:.....

For Juniors only, Date of birth...../...../..... (NB: Must be under 16 at 14th August 2020)

ENTRY SUMMARY AND FEES (Cheques made payable to Gem and Lapidary Council of NSW Inc)

No of Entries.....Are entries to be returned by mail ? (circle) Yes/No

Entry Fees: \$1.00 per entry for first 10 entries, thereafter free.....Amount \$.....

\$.....

Total Amount Enclosed

\$.....

Signature of Competitor that entries are your own works.....

ENTRIES BY SECTIONS-postal (received by August 14th 2020) or drop off Sat 15th August 2020

Section No.	Entries (1or2)	Section No.	Entries (1or2)	Section No.	Entries (1or2)	Section No.	Entries (1or2)	Section No.	Entries (1or2)	Section No.	Entries (1or2)
O-1A.1		I-1A.2		N-1A.3		J-iA.4		O-1A.5		I-1A.6	
N-1A.7		J-1A.8		O-1B.1		I-1B.2		N-1B.3		J-1B.4	
O-1B.5		I-1B.6		N-1B.7		J-1B.8		O-2A.1		I-2A.2	
N-2A.3		O-2B.1		I-2B.2		N-2B.3		O-3.1		I-3.2	
N-3.3		J-3.4		O-3.5		N-3.6		O-4A.1		O-4B.1	
O-8B.1		I-8B.2		N-8B.3		O-9A.1		I-9A.2		N-9A.3	
O-10.1		O-10.2		I-10.3		I-10.4		N-10.5		N-10.6	
O-11.1		I-11.2		N-11.3		J-10.7		O-12A.1		N-12A.2	
O-12B.3		N-12B.4		O-13.1		N-13.2		J-13.3		O-14.1	
N-14.2		J-14.3		O-18A.1		I-18A.2		N-18A.3		O-18B.1	
I-18B.2		N-18B.3		O-18E.1		N-18E.2		O-19A.1		N-19A.2	
O-19E.1		N-19E.2		O-20A.1		N-20A.2		O-20E.1		N-20E.2	
O-21B.1		N-21B.2		O-21G.1		N-21G.2		O-23B.1		O-24A.1	
N-24A.2		O-25.1		I-25.2		N-25.3		O-26A.1		N-26A.2	
O-26B.1		N-26B.2		O-26C.1		N-26C.2					

ENTRIES BY SECTION-Delivered & Setup by Entrant at GEMKHANA VENUE on Friday 25th Sept 2020

Section No	Entries (1or2)	Section No.	Entries (1or2)	Section No.	Entries (1or2)	Section No.	Entries (1or2)	Section No.	Entries (1or2)	Section No.	Entries (1or2)
O-5A.1		N-5A.2		O-5B.1		N-5B.2		O-5E.1		N-5E.2	
O-16.1		N-16.2		O-17.1		N-17.2		O-29B.1		O-32A.1	
N-32A.2		O-32B.1		N-32B.2		O-34A.1		N-34A.2		O-34A.3	
N-34A.4		O-34B.1.		N-34B.2							

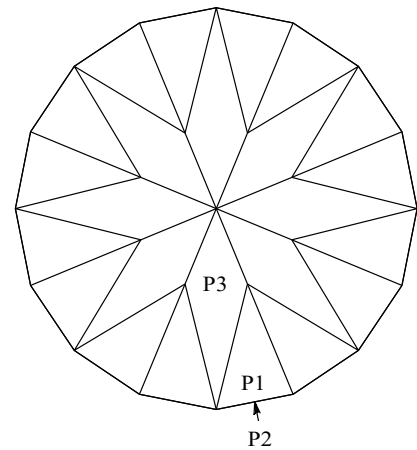
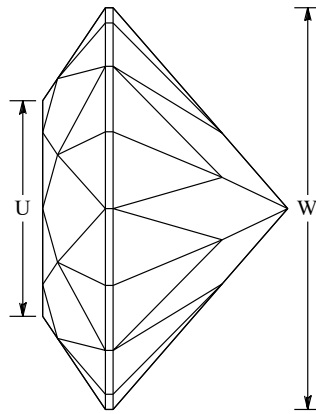
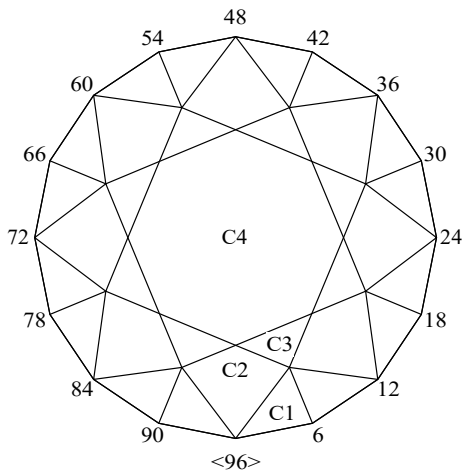
GEMKHANA 2020

Faceting Section:- O-8B-1 I-8B-2 N-8B-3

Material:- Any Clear Quartz

Facets:- 57 + 16 girdle=73 (crown 33 Pavilion 24)

Meets:- 57 (crown 32 Pavilion 25)



STANDARD ROUND BRILLIANT -Faceted Girdle

Angles for R.I. = 1.540

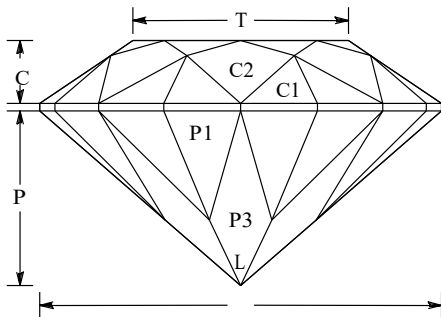
8-fold, mirror-image symmetry

96 index

$L/W = 1.000$ $T/W = 0.536$ $U/W = 0.536$

$P/W = 0.435$ $C/W = 0.156$

$Vol./W^3 = 0.205$



PAVILION

P1	43.00°	03-09-15-21-27-33-39-45-51-57-63-69-75-81-87-93	Cut to form TCP
P2	90.00°	03-09-15-21-27-33-39-45-51-57-63-69-75-81-87-93	Set stone size
P3	41.00°	96-12-24-36-48-60-72-84	Meet P1 at girdle a form PCP

CROWN

C1	39.00°	03-09-15-21-27-33-39-45-51-57-63-69-75-81-87-93	Set girdle thickness
C2	34.00°	96-12-24-36-48-60-72-84	Meet C1 at girdle
C3	20.00°	06-18-30-42-54-66-78-90	Meet C1-C2
C4	0.00°	Table	Meet C2-C3

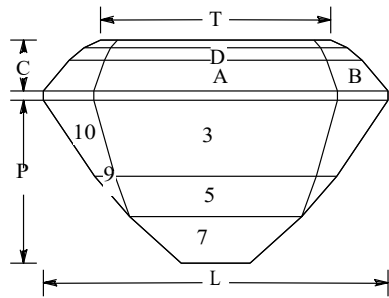
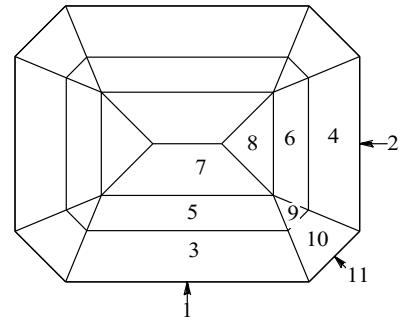
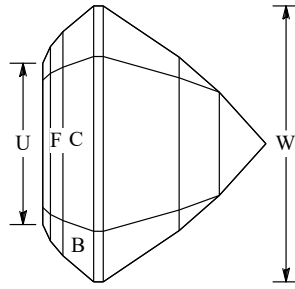
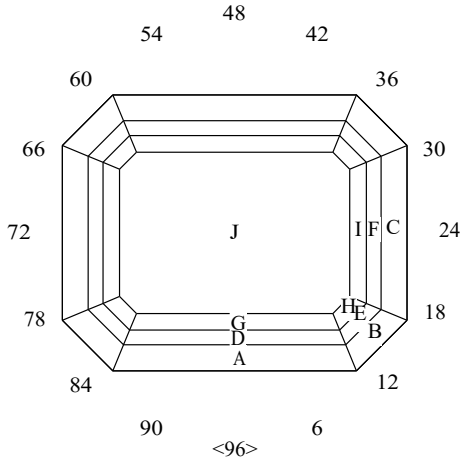
GEMKHANA 2020

Section:- O-9A.1 I-9A.2 N-9A.3

Material:- MM Coloured Spinel

Facets:- 45 + 8 Girdle = 53 (Crown 25 Pavilion 20)

Meets:- 44 (Crown 24 Pavilion 20)



OBLONG STEP CUT with CUT CORNERS

Angles for R.I. = 1.720

45 + 8 girdles = 53 facets

2-fold, mirror-image symmetry

96 index

$L/W = 1.250$ $T/W = 0.835$ $U/W = 0.585$

$P/W = 0.590$ $C/W = 0.185$

$Vol./W^3 = 0.505$

PAVILION

1	90.00°	96-48	Set length of stone
2	90.00°	24-72	Set width of stone
3	56.00°	96-48	Set girdle line
4	56.00°	24-72	Level girdle
5	49.00°	96-48	Cut width of P5 (approx 1/3)
6	49.00°	24-72	Meet P5
7	42.00°	96-48	Cut width of P7 (approx 1/3) PCP
8	42.00°	24-72	Meet P7
9	49.00°	12-36-60-84	Meet P8-P7
10	56.00°	12-36-60-84	Meet P6-P5
11	90.00°	12-36-60-84	Level girdle

CROWN

A	50.00°	96-48	Set girdle thickness
B	50.00°	12-36-60-84	Level girdle
C	50.00°	24-72	Level girdle
D	40.00°	96-48	Cut to width required
E	40.00°	12-36-60-84	Meet D
F	40.00°	24-72	Meet E
G	25.00°	96-48	Cut to width required
H	25.00°	12-36-60-84	Meet G
I	25.00°	24-72	Meet H
J	0.00°	Table	

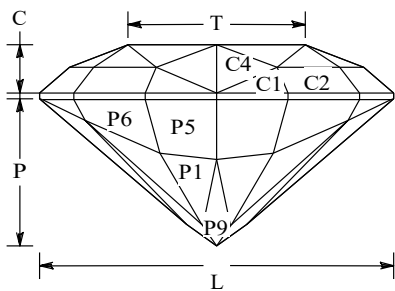
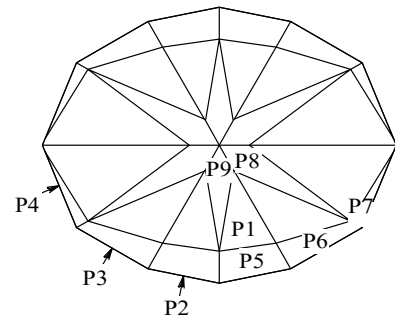
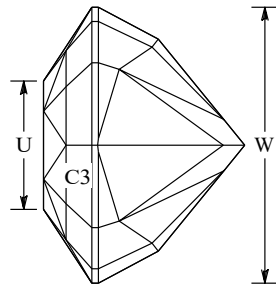
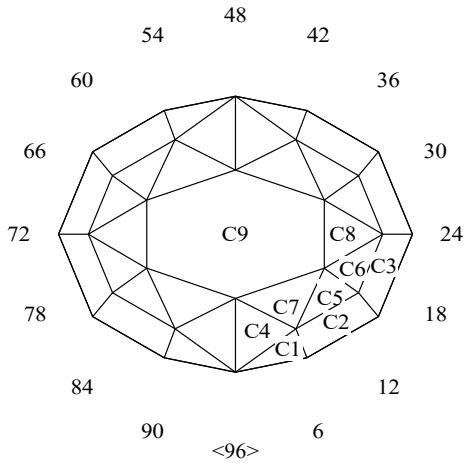
GEMKHANA 2020

Section:- O-10.1

Material:- MM Coloured Spinel

Facets:- 61 + 12 Girdle = 73 (Crown 31 Pavilion 30)

Meets:- 57 (Crown 28 Pavilion 29)



BARION OVAL

Author Michiko Huynh

Angles for R.I. = 1.720

61 + 12 girdles = 73 facets

2-fold, mirror-image symmetry

96 index

$L/W = 1.283$ $T/W = 0.644$ $U/W = 0.465$

$P/W = 0.533$ $C/W = 0.175$

$Vol./W^3 = 0.329$

PAVILION

Facet	Angle	Angles	Description
P1	41.50°	04-12-20-28-36-44-52-60-68-76-84-92	Cut to TCP
P2	90.00°	03-45-51-93	Set Stone width shape
P3	90.00°	08-40-56-88	Level Girdle
P4	90.00°	18-30-66-78	Level Girdle & set length
P5	62.45°	03-45-51-93	Level Girdle
P6	61.15°	08-40-56-88	Level Girdle
P7	57.77°	18-30-66-78	Level Girdle
P8	39.60°	16-32-64-80	Meet P6-P7 & form PCP
P9	39.20°	96-48	Meet P5 & centre point

CROWN

Facet	Angle	Angles	Description
C1	40.00°	03-45-51-93	Set stone width
C2	40.00°	08-40-56-88	Level Girdle
C3	43.09°	18-30-66-78	Level Girdle
C4	33.25°	01-47-49-95	Meet C1-C1 @ girdle
C5	30.45°	08-40-56-88	Meet C1-C2-C3
C6	28.80°	18-30-66-78	Meet C2-C3
C7	25.00°	05-43-53-91	Meet C1-C2
C8	21.05°	24-72	Meet C3-C6
C9	0.00°	Table	

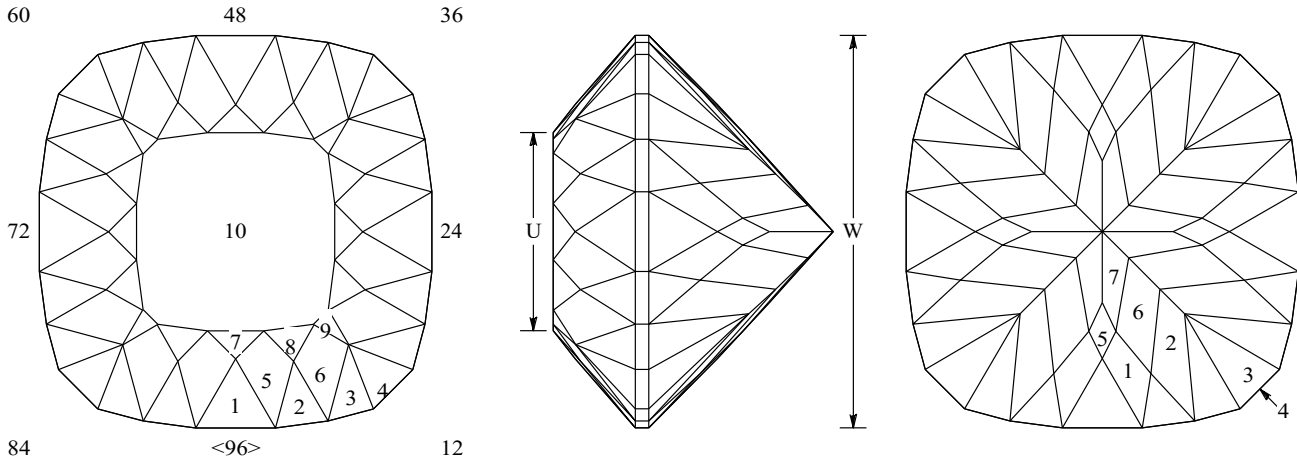
GEMKHANA 2020

Section:- O-10.2

Material:- MM Coloured Cubic Zirconia

Facets:- 117 + 24 girdle = 141 (Crown 57 Pavilion 60)

Meets:- 113 (Crown 56 Pavilion 57)



SQUARE CUSHION

Author Unknown

Angles for R.I. = 2.160

117 + 24 girdles = 141 facets

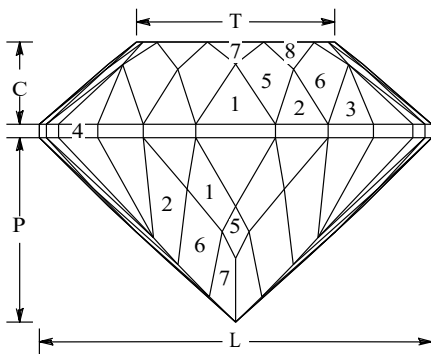
4-fold, mirror-image symmetry

96 index

$L/W = 1.000$ $T/W = 0.505$ $U/W = 0.505$

$P/W = 0.470$ $C/W = 0.209$

$Vol./W^3 = 0.288$



PREFORM

44.79°	96-24-48-72	FORM TCP
44.28°	02-22-26-46-50-70-74-94	Cut to TCP
43.29°	04-20-28-44-52-68-76-92	Cut to TCP
90.00°	96-24-48-72	Size stone
90.00°	02-22-26-46-50-70-74-94	Level girdle
90.00°	04-20-28-44-52-68-76-92	Level girdle

PAVILION

1	43.79°	01-23-25-47-49-71-73-95	Meet P1-P2 @ girdle
2	43.04°	03-21-27-45-51-69-75-93	Meet P2-P3 @ girdle
3	43.19°	12-36-60-84	Meet P3 -P3 @ girdle
4	90.00°	12-36-60-84	Level girdle
5	42.79°	96-24-48-72	Meet P1-P7
6	42.52°	02-22-26-46-50-70-74-94	Meet P2-P7-P8
7	42.00°	01-23-25-47-49-71-73-95	Meet P7-P11-P12

CROWN

1	41.00°	96-24-48-72	Set girdle Thickness
2	40.71°	02-22-26-46-50-70-74-94	Level girdle
3	41.00°	04-20-28-44-52-68-76-92	Level girdle
4	43.35°	12-36-60-84	Level girdle
5	40.01°	01-23-25-47-49-71-73-95	Meet C1-C2
6	40.01°	03-21-27-45-51-69-75-93	Meet C2-C3
7	38.05°	96-24-48-72	Meet C1-C5-C5
8	38.54°	02-22-26-46-50-70-74-94	Meet C2-C5-C6
9	29.90°	12-36-60-84	Meet C3-C4-C3
10	0.00°	Table	

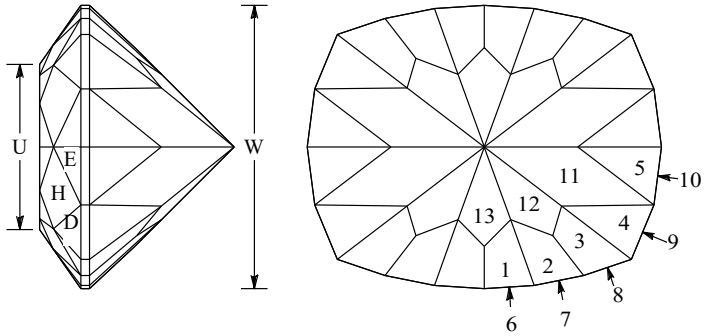
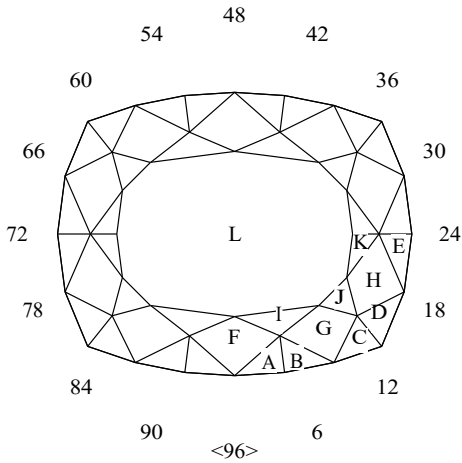
2020 GEMKHANA

Section: I-10.3

Material: Any Topaz

Facets: 72 + 20 Girdle = 92 (Crown = 42 Pavilion = 30)

Meets: 73 (Crown = 42 Pavilion = 31)



EASY CUSHION#2

Author Robert Long

Angles for R.I. = 1.610

73 + 20 girdles = 93 facets

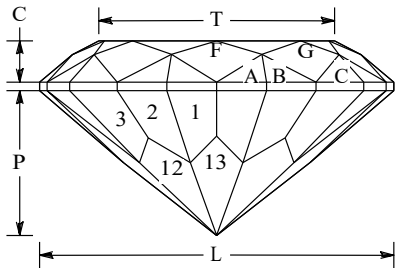
2-fold, mirror-image symmetry

96 index

$L/W = 1.250$ $T/W = 0.832$ $U/W = 0.583$

$P/W = 0.511$ $C/W = 0.146$

$Vol./W^3 = 0.327$



PAVILION

1	47.00°	01-47-49-95	Form TCP
2	46.18°	03-45-51-93	Meet TCP
3	44.61°	05-43-53-91	Meet TCP
4	40.30°	18-30-66-78	Meet TCP
5	40.81°	22-26-70-74	Meet TCP
6	90.00°	01-47-49-95	Set girdle line
7	90.00°	03-45-51-93	Level girdle
8	90.00°	05-43-53-91	Level girdle
9	90.00°	18-30-66-78	Level girdle
10	90.00°	22-26-70-74	Level girdle
11	45.03°	96-48	Set PCP
12	43.37°	04-44-52-92	Meet P1-P2 and PCP
13	39.00°	20-27-68-75	Meet @ girdle & PCP

CROWN

A	37.16°	01-47-49-95	Set girdle thickness
B	37.17°	03-45-51-93	Level girdle
C	36.67°	05-43-53-91	Level girdle
D	38.66°	18-30-66-78	Level girdle
E	40.24°	22-26-70-74	Level girdle
F	35.00°	96-48	Meet girdle
G	35.00°	04-44-52-92	Meet girdle
H	34.99°	20-28-68-76	Meet girdle
I	28.33°	02-46-50-94	Meet A-B-F-G
J	22.01°	12-36-60-84	Meet C-D-G-H
K	27.87°	22-26-70-74	Meet E-E-H-H
L	0.00°	Table	

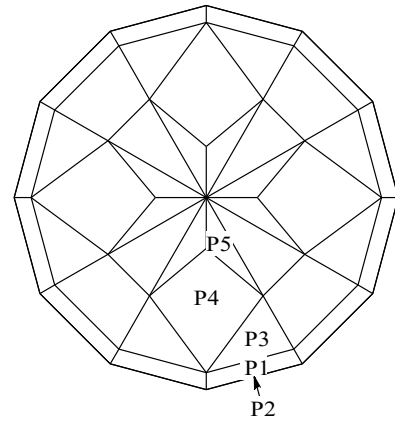
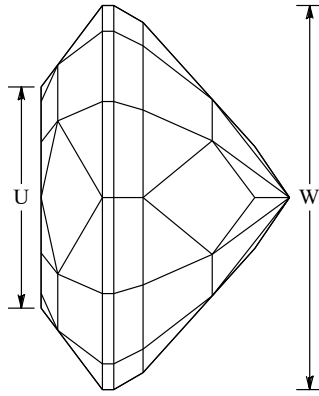
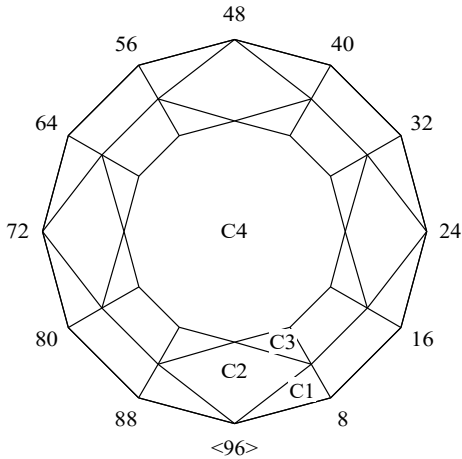
GEMKHANA 2020

Section:- I-10.4

Material:- MM Coloured Cubic Zirconia

Facets:- 69 + 12 girdle = 81 (crown 29 Pavilion 52)

Meets:- 57 (Crown 24 Pavilion 33)



MIXED CUT

Author George Beard

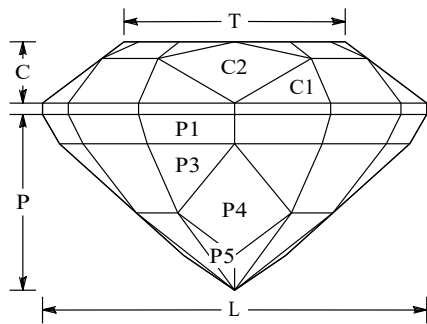
Angles for R.I. = 2.160

69 + 12 girdles = 81 facets

$L/W = 1.000$ $T/W = 0.576$ $U/W = 0.576$

$P/W = 0.457$ $C/W = 0.160$

$Vol./W^3 = 0.251$



PAVILION

P1	60.70°	04-12-20-28-36-44- 52-60-68-76-84-92	Cut to TCP
P2	90.00°	04-12-20-28-36-44- 52-60-68-76-84-92	Size Stone
P3	49.30°	04-12-20-28-36-44- 52-60-68-76-84-92	Provide small step facet @ P1
P4	42.00°	96-24-48-72	Meet P1-P2
P5	35.20°	04-12-20-28-36-44- 52-60-68-76-84-92	Meet P2-P3 and form PCP

CROWN

C1	50.00°	04-12-20-28-36-44- 52-60-68-76-84-92	Set girdle thickness
C2	37.00°	96-24-48-72	Meet C1 @ girdle
C3	22.00°	04-12-20-28-36-44- 52-60-68-76-84-92	Meet C1- C2
C4	0.00°	Table	Meet C2-C3

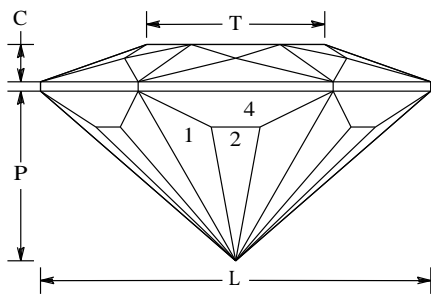
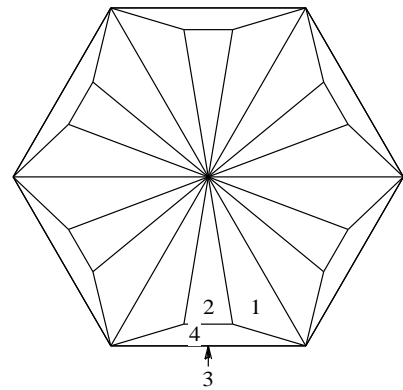
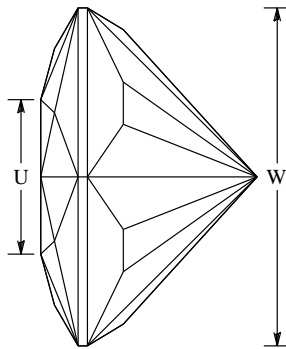
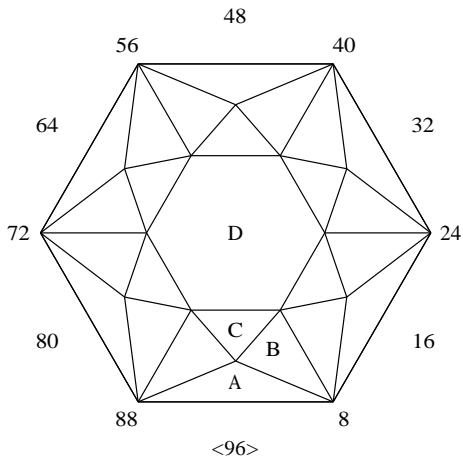
GEMKHANA 2020

Section:- N-10.5

Material:- MM Coloured Corundum

Facets:-49 + 6 = 55 Girdle (Crown 25 Pavilion 24)

Meets:- 25 (Crown 18 Pavilion 7)



HEXABRIL BARION HEXAGON

Author Reg Thompson/A. Wolkosky

Angles for R.I. = 1.760

49 + 6 girdles = 55 facets

6-fold, mirror-image symmetry

96 index

$L/W = 1.155$ $T/W = 0.528$ $U/W = 0.457$

$P/W = 0.502$ $C/W = 0.110$

$Vol./W^3 = 0.242$

PAVILION

1	42.00°	04-12-20-28-36-44-52-60-68-76-84-92	Form PCP
2	42.25°	96-16-32-48-64-80	Meet PCP
3	90.00°	96-16-32-48-64-80	Size stone
4	58.90°	96-16-32-48-64-80	Level girdle

CROWN

A	30.00°	96-16-32-48-64-80	Set girdle thickness
B	20.00°	04-12-20-28-36-44-52-60-68-76-84-92	Meet A @ girdle
C	15.07°	96-16-32-48-64-80	
D	0.00°	Table	Meet A-B

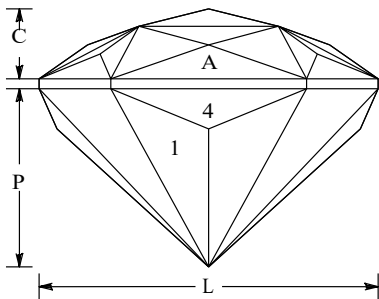
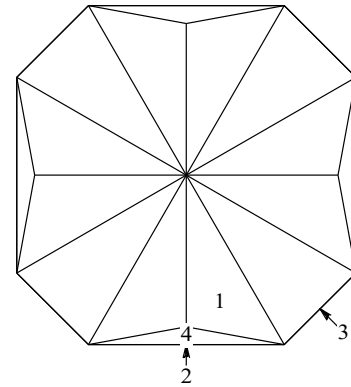
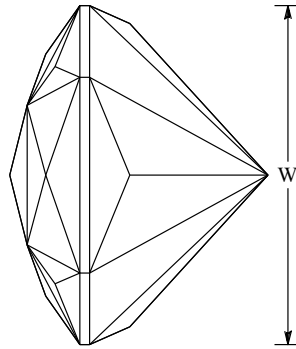
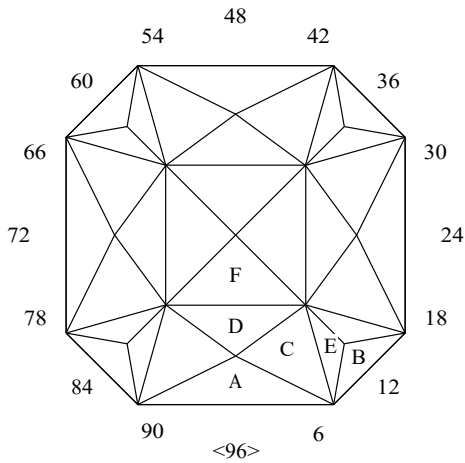
GEMKHANA 2020

Section: N-10.6

Material: MM Coloured Spinel

Facets: 48 + 8 Girdle = 56 (Crown = 32 Pavilion = 16)

Meets: 26 (Crown = 17 Pavilion = 9)



USFG-1

Author Unknown

Angles for R.I. = 1.720

48 + 8 girdles = 56 facets

4-fold, mirror-image symmetry

96 index

$L/W = 1.000$

$P/W = 0.526$ $C/W = 0.206$

$Vol./W^3 = 0.284$

PAVILION

1	43.30°	04-12-20-28- 36-44-52-60- 68-76-84-92
2	90.00°	96-24-48-72
3	90.00°	12-36-60-84
4	66.00°	96-24-48-72

CROWN

A	35.00°	96-24-48-72
B	35.00°	12-36-60-84
C	27.00°	03-21-27-45- 51-69-75-93
D	20.00°	96-24-48-72
E	27.66°	08-16-32-40- 56-64-80-88
F	14.00°	96-24-48-72

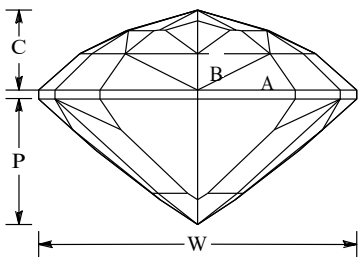
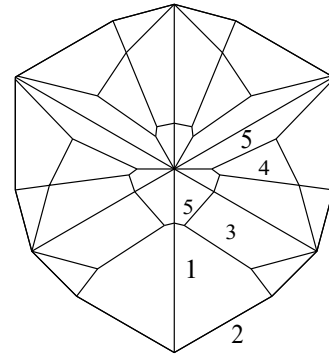
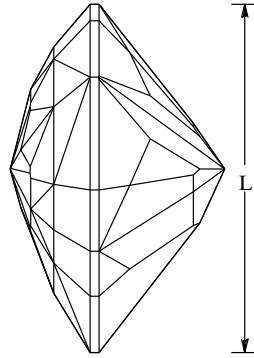
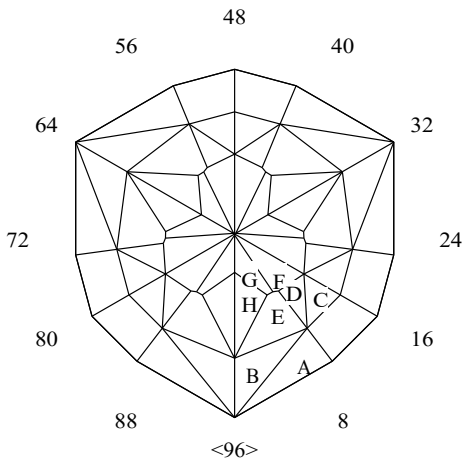
GEMKHANA 2020

Section: O-11.1

Material: MM Coloured Corundum

Facets: 84 + 12 Girdle = 98 (Crown 54 Pavilion 30)

Meets: 52 (Crown 31 Pavilion 21)



NAFC-2005

Author Jerry L Capps

angles for R.I. = 1.760

86 + 12 girdles = 98 facets

1-fold, mirror-image symmetry 96 index

L/W = 1.095

P/W = 0.396 C/W = 0.251 Vol./W³ = 0.236

PAVILION

Facet #	Angle	Facet Numbers	Description
1	41.90°	08-12-20-24-40-44-52-56-72-76-84-88	Cut to form TCP
2	90.00°	08-12-20-24-40-44-52-56-72-76-84-88	Cut to Shape & Size
3	38.93°	13-19-45-51-77-83	Meet girdle & form new TCP
4	38.45°	23-41-55-73	Meet P1-P3
5	35.00°	13-19-29-35-45-51-61-67-77-83	Form PCP

CROWN

Facet #	Angle	Facet Numbers	Description
A	41.40°	08-12-20-24-40-44-52-56-72-76-84-88	Level girdle
B	33.50°	06-26-38-58-70-90	Meet girdle @ P1
C	29.60°	12-20-44-52-76-84	Meet C1-C2
D	26.20°	09-23-41-55-73-87	Meet C1-C3
E	26.95°	06-26-38-58-70-90	Meet C1-C2-C3
F	16.00°	09-23-41-55-73-87	Meet C3-C4
G	16.55°	05-27-37-59-69-91	Meet @ Apex
H	21.00°	01-31-33-63-65-95	Meet C2-C5

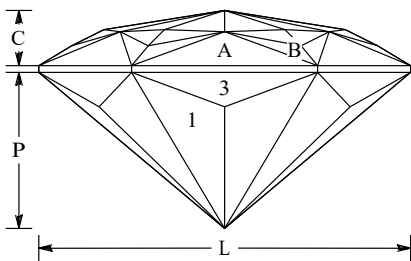
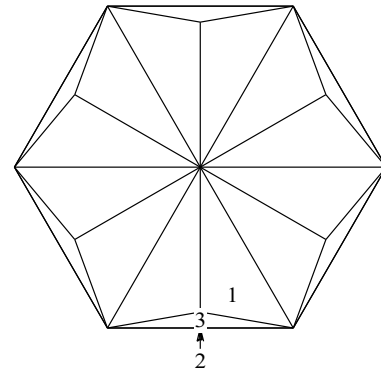
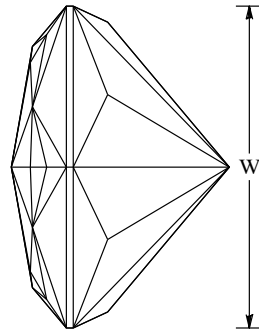
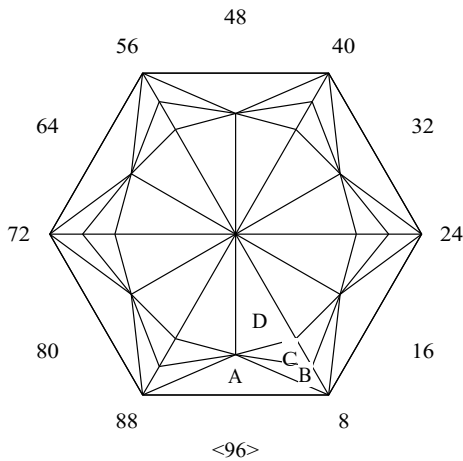
GEMKHANA 2020

Section:- I-11.2

Material:- MM Coloured Spinel

Facets:-60 + 8 Girdle (Crown 42 Pavilion 18)

Meets:- 32 (Crown 25 Pavilion 7)



MINI HEXAGON APEX

Author Norman Steele

Angles for R.I. = 1.720

60 + 6 girdles = 66 facets

6-fold, mirror-image symmetry

96 index

L/W = 1.155

P/W = 0.485 C/W = 0.171

Vol./W³ = 0.254

PAVILION

1	41.00°	04-12-20-28-36-44-52-60-68-76-84-92	Cut of facets to PCP
2	90.00°	96-16-32-48-64-80	Set stone size
3	65.00°	96-16-32-48-64-80	Meet P1-P1 at corners

CROWN

A	40.00°	96-16-32-48-64-80	Set girdle thickness
B	33.00°	02-14-18-30-34-46-50-62-66-78-82-94	Meet C1-C1-girdle
C	28.00°	03-13-19-29-35-45-51-61-67-77-83-93	Meet C2-C1-C2
D	10.00°	01-15-17-31-33-47-49-63-65-79-81-95	Meet C1-C2-C3

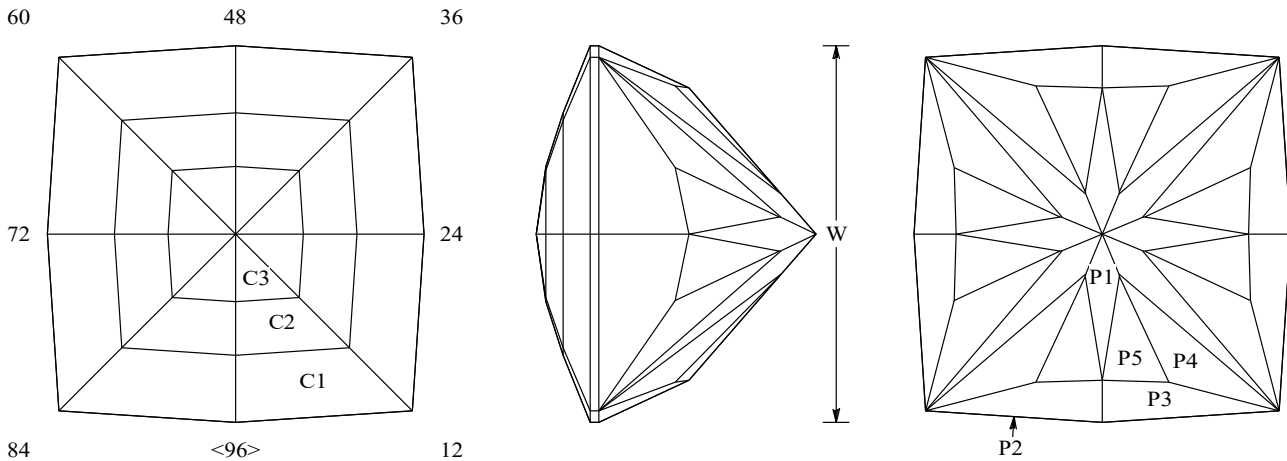
GEMKHANA 2020

Section:- N-11.3

Material:- MM Coloured Cubic Zirconia

Facets:- 56 + 8 girdle = 64 (Crown 24 Pavilion 32)

Meets:- 46 (Crown 25 Pavilion 21)



OLD MINE BARION

Angles for R.I. = 2.160

56 + 8 girdles = 64 facets

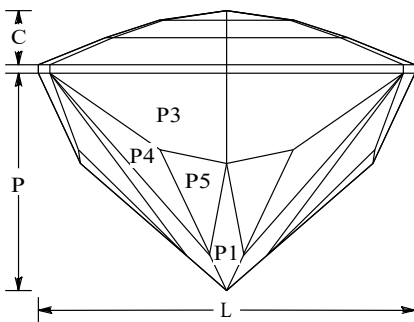
4-fold, mirror-image symmetry

96 index

L/W = 1.000

P/W = 0.577 C/W = 0.143

Vol./W³ = 0.304



PAVILION

P1	41.00°	96-12-24-36-48-60-72-84	Form TCP
P2	90.00°	01-23-25-47-49-71-73-95	Set Stone Size
P3	65.00°	01-23-25-47-49-71-73-95	Level Girdle
P4	42.00°	09-15-33-39-57-63-81-87	Meet P3-P3 @ girdle
P5	42.50°	03-21-27-45-51-69-75-93	Meet P3-P4

CROWN

C1	22.00°	01-23-25-47-49-71-73-95	Set Girdle Thickness
C2	18.00°	01-23-25-47-49-71-73-95	Cut to equal size
C3	8.00°	01-23-25-47-49-71-73-95	Cut to equal size