



GEMKHANDA 2019

COMPETITION SCHEDULE AND CONDITIONS

GEMKHANA 2019 – COMPETITION SCHEDULE AND CONDITIONS

GENERAL CONDITIONS

1. This is a Level 3 Competition and will be judged in accordance with the rules and definitions of the ***Competitor & Judging Manual for Lapidary and Allied Competitions Issue no. 8 April 2015***. (referred to in this Schedule as the Manual), unless otherwise stated in this Schedule.
2. All competitors are advised to familiarise themselves with all the “Conditions for Competitors” in the Manual (particularly pages 5 to 13)
3. Competitors should be aware of, or check their eligibility to enter a Novice or Intermediate Division either by: -
 - Reading Section B4 of the manual (pages 6 & 7) relating to Competition Divisions, or by
 - checking the updated results list on the AFLACA website (<http://aflaca.org.au>)
4. Enquiries, correspondence and ALL POSTAL ENTRIES relating to this Competition should be directed to:

GEMKHANA Competition Committee 2019

P.O. Box 109

GyMEA NSW 2227

Phone enquiries to Colin Wright: 0418 286 003

5. Maximum number of entries allowed is two (2) per person per section except for Showcase Sections where only one entry per person is allowed.
6. It is the Competitor’s responsibility to ensure that their entries are entered in the correct section and that the sections are correctly marked on the Entry Form. If in doubt ring the Competition Committee.

However, the Competition Committee may transfer an entry into another section if they are of the opinion that it has obviously been entered in the incorrect section.

7. Entry Fees: - \$1.00 per entry for the first 10 entries, thereafter free.
(Payable by cheque or money order to Gem & Lapidary Council of NSW Inc)
8. All entries not being collected in person at the GEMKHANA must be accompanied by the **cost of return** post or **pre-paid post bag** included with the entry form (see Page 13).
9. While every care will be taken, the GEMKHANA 2019 Committee will not accept any responsibility for the loss or damage of any entries or exhibits that may occur in transit or whilst in the possession of the GEMKHANA 2019 committee.

10. Competitors and exhibitors are responsible for the insurance of their entries or exhibits while in transit, and whilst in the possession of the GEMKHANA 2019 Committee.

11. How to enter the Competition – Sections 1 to 4, 8 to 13 and 18 to 26

- a. Package up your entries to cushion them from damage whilst in transit – also see SC3.
- b. Fill out an official entry form – see page 13 of this Schedule.
- c. If you want acknowledgement of receipt of your entries, include a stamped, self-addressed envelope.
- d. Organise a cheque or money order payable to the Gem & Lapidary Council of NSW Inc for the entry fees (and return express postage if you are not collecting the entries in person at the Gemkhana).
- e. Submit your Entries + Entry Form + All fees to the Competition Committee.
This can either be: -

- By Express post to
GEMKHANA 2019 Committee
P.O. Box 109
GyMEA NSW 2227

They must be received by Friday 16th August 2019

- By hand delivery to
Port Hacking Lapidary Club
Rear 39 GyMEA Bay Rd.,
GyMEA

Between 8.00 am and noon on Saturday 17th August 2019

NOTE that late entries will not be eligible for competition and will be returned.

12. How to Enter the Competition – Sections 5, 16, 17, 29, 32, 34 and showcases

- a. Send your Entry Form and All Entry Fees to **arrive by Friday 16th August 2019** to:-
GEMKHANA 2019 Competition Committee
P.O. Box 109
GyMEA NSW 2227
- b. Hand deliver the entries to the Competition committee in the Competition Hall at the GEMKHANA 2019 VENUE between
1pm and 5pm on Friday 27th September 2019
- c. Note that entries in Sections 29, 32 & 34 must be set up and ready in the Exhibition Hall by **5.00pm Friday 27th September 2019**

13. Judging, Judging Sheets and Entry Pickup

- a. Entries in Sections 1 to 4, 8 to 13, 18 to 26 will be judged prior to the GEMKHANA.
- b. Entries in Sections 5, 16, 17, 29, 32, and 34 will be judged at the GEMKHANA.

- c. Judging Sheets may be collected from the Competition Office between 10am and 12 noon on **Sunday 29th September 2019**
- d. Entries may be collected between 10am and 12 noon on **Monday 30th September 2019**
- e. Entries not collected will be returned to the competitor in the manner specified on the entry form together with the applicable judging sheets.

14 SPECIAL CONDITIONS (SC)

SCI – Sizes and Tolerances

Where an entry does not conform to the size conditions in this Schedule or the Manual it will be ruled ineligible and not judged. Refer to section definitions in the Schedule and the Manual for allowable tolerances.

SC2 – Carving (Section 5)

Each entry must have a label which best describes the exhibit for the viewer's interest including the material used. These labels will not be judged.

SC3 - Facet Entries (Section 8 to 11)

- a. All chosen designs have either been previously used in competitions or have been successfully test cut using instructions given
- b. **ALL** Facets are **FLAT**, any entry with Concave or Curved facets (except Section 8A continuous girdle) will be disqualified and will NOT be judged.
- c. **Minimum size** is 6mm measured across shortest axis of outline shape at the girdle, or as indicated on design sheet.
- d. Each faceted stone must be entered in a display box and this box must contain a label which contains only the following details:
 - Section Number
 - Material used
 - Colour of material
 - Size

SC4 – Tumbled Stones (Section 12A)

Please read page 19 (D2.2) and page 55 (D12.1) of the Manual for definition of this section.

SC5 – Jewellery (Sections 18 – 26)

Competitors should carefully read Part E of the Manual in relation to all Jewellery Sections.

15 TROPHIES AND MEDALLIONS

1. Medallions and prize cards will be awarded for 1st, 2nd, and 3rd placed entries. Highly Commended will receive a prize card only.
2. At the Committee's discretion, where there are insufficient entries in a Novice or Intermediate Sections, a Special Award May be nominated and such an award will not exclude a competitor from entering the same section in future competitions.
3. To be eligible in winning a 'Dick Moppett Trophy: in faceting, entries must achieve a minimum of 70 points for Novice and 90 points for Open.
4. Annual Trophies may be awarded in the following categories: -

SPECIAL ONE-OFF TROPHIES

Donated by Gem & Lapidary Council of NSW

- | | |
|-----------------|--|
| Section N-1A.3 | Novice Standard Cabochon -C/S-Highest Score |
| Section O-13.1 | Open Polished Face-Flat Surface-Highest Score |
| Section N-19A.2 | Novice Cast Jewellery not intended to include Lapidary, Fossil or Mineral Item/s-Highest Score |

THE JOAN BALL TROPHIES

- | | |
|-----------------|---|
| Section O-26B.1 | Open Enamelled Jewellery without Mount -Highest Score |
| Section O-17.1 | Open Novelty Gemcraft-Highest Score |

THE ALAN COULTON TROPHY

- | | |
|-----------------|--|
| Section O-20A.1 | Open Cast Jewellery using Natural Objects as Patterns -Highest Score |
|-----------------|--|

5. Perpetual Trophies may be awarded for the following :-

THE BORIS NOVIC TROPHY

Section 0-2A.1 The competitor with the highest score in Section O-2A.1 Double Standard Cabochon – C/S

THE DICK MOPPETT TROPHY – NOVICE

Sections N-8B.3 & N-9A.3 For the Novice competitor with the highest aggregate point for two (2) faceted stones - one shall be **STANDARD BRILLIANT** and the other a **STANDARD STEP CUT**. Note that each entry must achieve a minimum standard of **70 points**.

THE DICK MOPPETT TROPHY – OPEN

Sections O-8B.1 & O-9A.1 For the Open Competitor with the highest aggregate points for two (2) faceted stones – one shall be **STANDARD BRILLIANT** and the other a **STANDARD STEP CUT**. Note that each entry must achieve a minimum standard of **90 points**.

THE ARTHUR ROFFEY TROPHY for “BEST MINERAL IN SHOW”

(As selected by the donor)

THE FRANK LANDER TROPHY for MOST SUCCESSFUL COMPETITOR

Points are awarded as:- 1st place – 6 points 2nd place – 4 points 3rd place – 2 points .
Highly Commended = 1 point. Special Award – 6 points

THE FRANK HALL TROPHY for MOST SUCCESSFUL CLUB

Points awarded as:- 1st place – 6 points, 2nd place – 4 points, 3rd place – 2 points.
Highly commended – 1-point, Special award – 6 points. Entries within 75% of the winning entry's score – 1 point.

GEMKHANA 2019 – COMPEITION SCHEDULE AND CONDITIONS

Judging will be in accordance with the AFLACA Competition and Judging Manual Issue No. 8

O= Open I = Intermediate N = Novice J = Junior TR = Trophy

C/S = Craftsmanship A/A = Aesthetic Appeal SC = Special Condition Applies

Standard Cabochon – Must not pass through a 15mm hole (SCI)

O-1A.1	Standard Cabochon	C/S – Any Material	
I-1A.2	Standard Cabochon	C/S – Any Material	
N-1A.3	Standard Cabochon	C/S – Any Material	TR
J-1A.4	Standard Cabochon	C/S - Any Material	
O-1A.5	Standard Cabochon	A/A Petrified Wood	
I-1A.6	Standard Cabochon	A/A Petrified Wood	
N-1A.7	Standard Cabochon	A/A Petrified Wood	
J-1A.8	Standard Cabochon	A/A Petrified Wood	

Fancy Cabochon – Minimum Dimension to be not less than 30mm on the longest Dimension across the outline shape (SCI)

O-1B.1	Fancy Cabochon	C/S – Any Material
I-1B.2	Fancy Cabochon	C/S – Any Material
N-1B.3	Fancy Cabochon	C/S – Any Material
J-1B.4	Fancy Cabochon	C/S – Any Material
O-1B.5	Fancy Cabochon	A/A – Mookaite
I-1B.6	Fancy Cabochon	A/A – Mookaite
N-1B.7	Fancy Cabochon	A/A – Mookaite
J-1B.8	Fancy Cabochon	A/A – Mookaite

Double Standard Cabochon - must not pass through a 15mm hole (SCI)

O-2A.1	Double Standard Cabochon	C/S – Any material	TR
I-2A.2	Double Standard Cabochon	C/S – Any material	
N-2A.3	Double Standard Cabochon	C/S – Any material	

Double Fancy Cabochon – Must not pass through a 15 mm hole (SCI)

O-2B.1	Double Fancy Cabochon	C/S – Any Material
I-2B.2	Double Fancy Cabochon	C/S – Any Material
N-2B.3	Double Fancy Cabochon	C/S – Any Material

Freeform – Must not pass through 15mm hole (SCI)

O-3.1	Freeform	C/S – Any Material
I-3.2	Freeform	C/S – Any Material
N-3.3	Freeform	C/S – Any Material
J-3.4	Freeform	C/S – Any Material
O-3.5	Freeform	C/S – Opal Solid
N-3.6	Freeform	C/S – Opal Solid

Opal – Must not pass through 10mm hole (SCI)

O-4A	Opal Doublet – Flat Top
O-4B	Opal Doublet – Domed Top

Carving – Hardness under 4 – Minimum size 50mm on the longest dimension (excluding base or mount) – Maximum size 300mm (including base or mount) (SCI and SCI)

O-5A.1	Carving – 3 dimensional
N-5A.2	Carving – 3 dimensional

Carving – Any Hardness – Minimum size 50mm on the longest dimension (excluding base or mount) Maximum size 300mm (including base or mount) (SC1 and SC2)

O-5B.1	Carving – in relief
N-5B.2	Carving – in relief

Carving – any hardness – minimum size 50 mm on the longest dimension (excluding base or mount) – maximum size 300mm (including base or mount) (SCI and SC2)

O-5E.1	Carving not otherwise specified in Groups 5A to 5D
N-5E.2	Carving not otherwise specified in Groups 5A to 5D

Facet Cuts – Minimum size 6mm on shortest axis of outline shape – Groups 8, 9, 10 and 11 – (SC1 and SC3)

O-8A.1	Standard Round Brilliant with continuous girdle	MM Coloured Corundum	TR
I-8A.2, N-8A.3	Standard Round Brilliant with continuous girdle	MM Coloured Spinel	TR
O-9B.1	Square Step Cut with Cut corners	Labradorite	TR
I-9B.2	Square Step Cut with cut corners	Labradorite	
N-9B.3	Square Step Cut with Cut Corners	Labradorite	TR
O-10.1	Modified Standard Cut – PEWEE CROSS	MM Coloured Cubic Zirconia	
O-10.2	Modified Standard Cut – RING-AROUND	MM Coloured Corundum	
I-10.3	Modified Standard Cut– HEXABRIL BARON	MM Coloured Corundum	
I-10.4	Modified Standard Cut – EASY CUSHION #2	Any Topaz	
N-10.5	Modified Standard Cut – YGGDRASILL	MM Coloured Spinel	
N-10.6	Modified Standard Cut – TROTTOLA	Any Quartz	
O-11.1	Fancy Cut – FLAME PENDANT	MM Colourless Cubic Zirconia	
I-11.2	Fancy Cut – MINI HEXAGON	MM Coloured Spinel	
N-11.3	Fancy Cut - APHEX	MM Coloured Corundum	

Tumbled Stones – must not be able to pass through a 15mm diameter hole (SC4)

O-12A.1	Tumbled Stones – Preformed Shape	Group of 3 different materials
N-12A.2	Tumbled Stones – Preformed Shape	Group of 3 – Any material

Polished Face – Minimum size 50mm across shortest axis – Maximum size 300mm on any dimension

O-13.1	Polished Flat Surface	C/S	TR
N-13.2	Polished Flat Surface	C/S	
J-13.3	Polished Flat Surface	C/S	
O-14.1	Polished Curved Surface	A/A	
N-14.2	Polished Curved Surface	A/A	
J-14.3	Polished Curved Surface	A/A	

Gem Trees - must fit in 300mm cube but must not fit in a 150mm cube (SC1)

O-16.1	Gem Tree
N-16.2	Gem Tree

Novelty Gemcraft – Minimum size 50mm on the longest dimension excluding base (SC1)

O-17.1	Novelty Gem craft		TR
N-17.2	Novelty Gem craft		

Hand Fabricated and Wire Wrapped Jewellery (SC5)

O-18A.1	Hand Fabricated Jewellery	NOT intended to include Lapidary, Fossil or Mineral Specimen (s)	
I-18A.2	Hand Fabricated Jeweller –	NOT intended to include Lapidary, Fossil or Mineral Specimen (s)	
N-18A.3	Hand Fabricated Jewellery –	NOT intended to include Lapidary, Fossil or Mineral Specimen (s)	
O-18B.1	Hand Fabricated Jewellery--	WITH lapidary Item (s) cut and set by entrant	
I-18B.2	Hand Fabricated Jewellery –	WITH lapidary item(s) cut and set by entrant	
N-18B.3	Hand Fabricated Jewellery –	WITH lapidary item(s) cut and set by entrant	
O-18E.1	Wire Wrapped Jewellery-	WITH Lapidary, Fossil or Mineral Items(s) prepared/ set by entrant	
N-18E.2	Wire Wrapped Jewellery	WITH Lapidary. Fossil or Mineral Item (s) prepared/ Set by entrant	

Cast Jewellery – using Patterns, mould or Dies MADE BY ENTRANT (SC5)

O-19A.1	Cast Jewellery	NOT intended to include Lapidary Fossil or Mineral Item(s)	
N-19A.2	Cast Jeweller	NOT intended to include Lapidary Fossil or Mineral Item(s)	TR

Metal Clay Jewellery – using Patterns, Moulds or Dies MADE BY ENTRANT(SC5)

O-19E.1	Metal Clay Jewellery	NOT intended to include Lapidary, Fossil or Mineral Item(s)	
N-19E.2	Metal Clay Jewellery	NOT intended to include Lapidary Fossil or Mineral Item(s)	

Cast Jewellery – using Natural Objects as Patterns (SC5)

O-20A.1	Cast Jewellery	NOT intended to include Lapidary Fossil or Mineral Item(s)	TR
N-20A.2	Cast Jewellery	NOT intended to include Lapidary Fossil or Mineral Item(s)	

Metal Clay Jewellery – using natural Object as Patterns (SC5)

- O-20E.1 Metal Clay Jewellery **NOT** intended to include lapidary, fossils or minerals
N-20E.2 Metal Clay Jewellery **NOT** intended to include lapidary, fossils or minerals

Cast Jewellery – using Commercial Wax Models or Patterns (SC5)

- O-21B.1 Cast Jewellery **WITH** Lapidary Item(s) Cut and Set by Entrant
N-21B.2 Cast Jewellery **WITH** Lapidary Item(s) Cut and Set by Entrant

Metal Clay Jewellery – using Commercial Wax Models or Patterns (SC5)

- O-21G.1 Metal Clay Jewellery **WITH** Commercial Lapidary Item(s) set by Entrant
N-21G.2 Metal Clay Jewellery **WITH** Commercial Lapidary Item(s) set by Entrant

Combined Jewellery – with Lapidary Items cut and set by Entrant (SC5)

- O-23B.1 Combined Jewellery **WITH** lapidary items cut & set by Entrant

Enamelled Jewellery in Hand Fabricated Setting (SC5)

- O-24A.1 Enamelled Jewellery in hand fabricated setting
N-24A.2 Enamelled Jewellery in hand fabricated setting

Commercial Mount Jewellery (SC5)

- O-25.1 Commercial Mount Jewellery **WITH** Lapidary item(s) cut and set by entrant
I-25.2 Commercial Mount Jewellery **WITH** Lapidary item(s) cut and set by entrant
N-25.3 Commercial Mount Jewellery **WITH** Lapidary item(s) cut and set by entrant

Enamelling Sections (SC5)

- O-26A.1 Enamelled Jewellery in Commercial Mount
N-26A.2 Enamelled Jewellery in Commercial Mount
O-26B.1 Enamelled Jewellery without Mount **TR**
N-26B.2 Enamelled Jewellery without Mount
O-26C.1 Enamelling – non-Jewellery
N-26C.2 Enamelling – non-Jewellery

Showcases

O-29B.1 Showcase General – LIT

Fossils

O-32A.1 Fossils Non-Display – Any Locality

N-32A.2 Fossils Non-Display - Any Locality

O-32B.1 Fossils Non-Display Group of 3 Invertebrates

N-32B.2 Fossils Non-Display Group of 3 Invertebrates

Minerals

O-34A.1 Mineral Non-Display Single Specimen Any Locality Cabinet Size

N-34A.2 Mineral Non-Display Single Specimen Any Locality Cabinet Size

O-34A-3 Mineral Non-Display Single Specimen Any Locality Miniature

N.34A.4 Mineral Non-Display Single Specimen Any Locality Miniature

O-34B.1 Mineral Non -Display Group of Three Any Locality Thumbnail

N-34B.2 Mineral Non -Display Group of Three Any Locality Thumbnail

GEMKHANA 2019 OFFICIAL COMPETITION FORM

**Mail to: The Competition Committee
PO Box 109, Gymea NSW 2227**

Postal Entries: All Entry Forms and fees- must be **RECEIVED BY THE COMMITTEE** by Friday 16th August 2019

Hand delivered: Entries-Saturday 17th August 2019 (8.00am to Noon) at Port Hacking Lapidary Club

COMPETITOR DETAILS Name:

Email:

Address

State: Postcode..... Personal Contact No

Full Club Details:.....

For Juniors Only, Date of Birth:/...../..... (NB: Must be under 16 at 16th August 2019)

ENTRY SUMMARY AND FEES (Cheques made payable to Gem and Lapidary Council of NSW Inc)

No of Entries: Are entries to be returned by mail? (Circle) Yes/No

Entry Fees-\$1.00 per entry for first ten entries, thereafter free Amount\$.....

Return Postage- Registered \$.....

Total Amount Enclosed \$.....

Signature of Competitor:

ENTRIES BY SECTION- Postal (by Friday 16/08/19 and Drop off (Saturday 17/08/19)									
Section No	Entries (1or2)	Section No	Entries (1or2)	Section No	Entries (1or2)	Section No	Entries (1or2)	Section No	Entries (1or2)
O-1A.1		I-1A.2		N-1A.3		J-1A.4		O-1A.5	
I-1A.6		N-1A.7		J-1A.8		O-1B.1		I-1B.2	
N-1B.3		J-1B.4		O-1B.5		I-1B.6		N-1B.7	
J-1B.8		O-2A.1		I-2A.2		N-2A.3		O-2B.1	
I-2B.2		N-2B.3		O-3.1		I-3.2		N-3.3	
J-3.4		O-3.5		N-3.6		O-4A		O-4B	
O-8A.1		I-8A.2		N-8A.3		O-9B.1		I-9B.2	
N-9B.3		O-10.1		O-10.2		I-10.3		I-10.4	
N-10.5		N-10.6		O-11.1		I-11.2		N-11.3	
O-12A.1		N-12A.2		O-13.1		N-13.2		J-13.3	
O-14.1		N-14.2		J-14.3		O-18A.1		I-18A.2	
N-18A.3		O-18B.1		I-18B.2		N-18B.3		O-18E.1	
N-18E.2		O-19A.1		N-19A.2		O-19E.1		N-19E.2	
O-20A.1		N-20A.2		O-20E.1		N-20E.2		O-21B.1	
N-21B.2		O-21G.1		N-21G.2		O-23B.1		O-24.1	
N-24A.2		O-25.1		I-25.2		N-25.3		O-26A.1	
N-26A.2		O-26B.1		N-26B.2		O-26C.1		N-26C.2	

ENTRIES BY SECTIONS- Delivered and Setup by Entrant at Gemkhana (Friday 27/09/19)									
Section No	Entries 1or2	Section No	Entries 1or2	Section No	Entries 1or2	Section No	Entries 1or2	Section No	Entries 1or2
O-5A.1		N-5A.2		O-5B.1		N-5B.2		O-5E.1	
N-5E.2		O-16.1		N-16.2		O-17.1		N-17.2	
O-29B.1		O-32A.1		N-32A.2		O-32B.1		N-32B.2	
O-34A.1		N-34A.2		O-34A.3		N-34A.4		O-34B.1	
N-34B.2									

GEMKHANA 2019

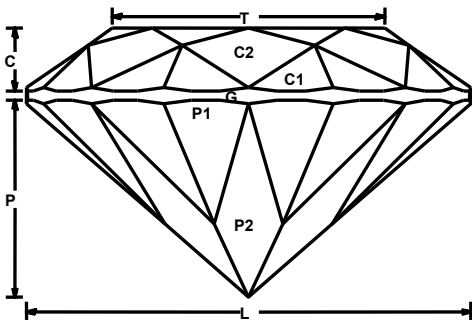
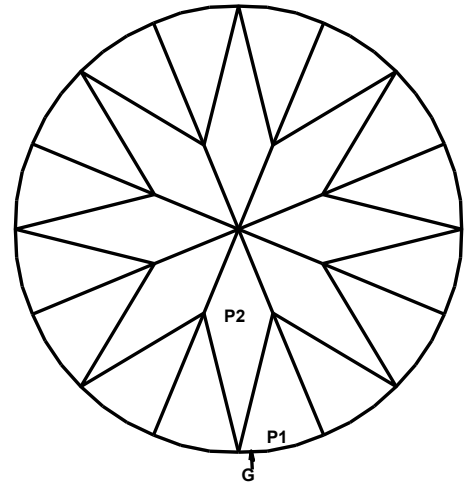
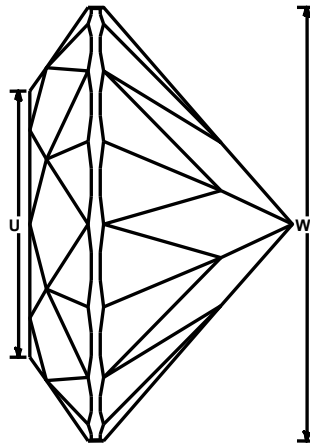
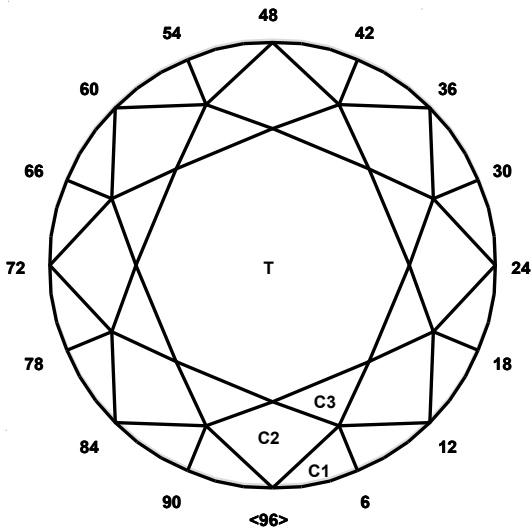
Section: O.8A.1 – STANDARD ROUND BRILLIANT with CONTINUOUS GIRDLE

Material – COLOURED MM CORUNDUM

SPECIFIED SIZE- 9.5mm

FACETS- 57 + 1 Rolled Girdle (Crown 33 Pavilion 24)

MEETS - 41 (Crown - 24, Pavilion - 17)



Standard Round Brilliant with Continuous Girdle

Angles for R.I. = 1.76

57 + 1 rolled girdle

8-fold, mirror-image symmetry

96 index

$L/W = 1.000$ $T/W = 0.516$ $U/W = 0.516$

$P/W = 0.476$ $C/W = 0.228$

$Vol. /W^3 = 0.260$

PAVILION

P1 43.00° 03-09-15-21-27-33-39-45-
51-57-63-69-75-81-87-93

Create TCP

G 90.00°

Cut to size, "rolled girdle"

P2 41.00° 96-12-24-36-48-60-72-84

Meet, P1, G, form PCP

CROWN

C1 44.81° 03-09-15-21-27-33-39-45-
51-57-63-69-75-81-87-93

Set girdle thickness

C2 39.00° 96-12-24-36-48-60-72-84

Meet, C1, G

C3 23.49° 06-18-30-42-54-66-78-90

Meet, C1, C2

T 0.00° Table

Meet, C3, C2, C3

GEMKHANA 2019

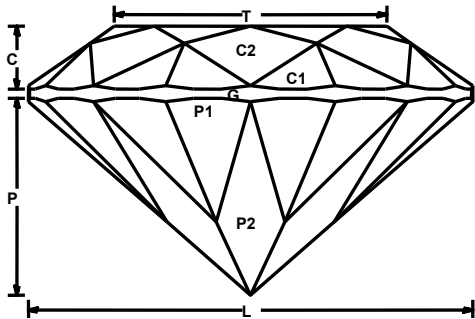
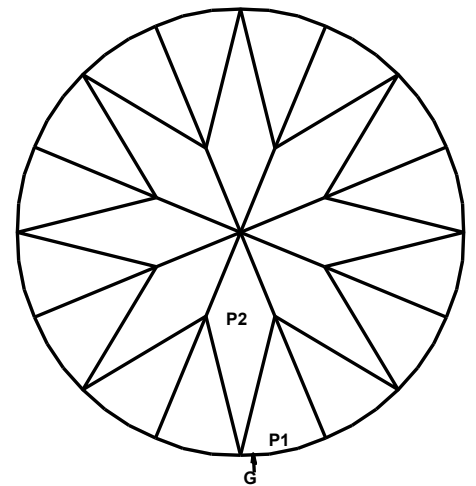
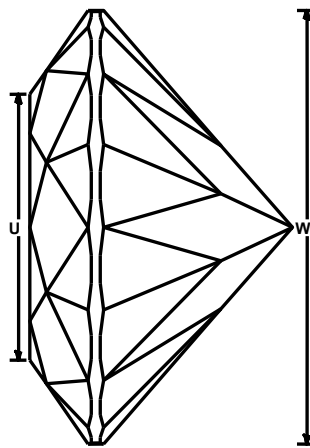
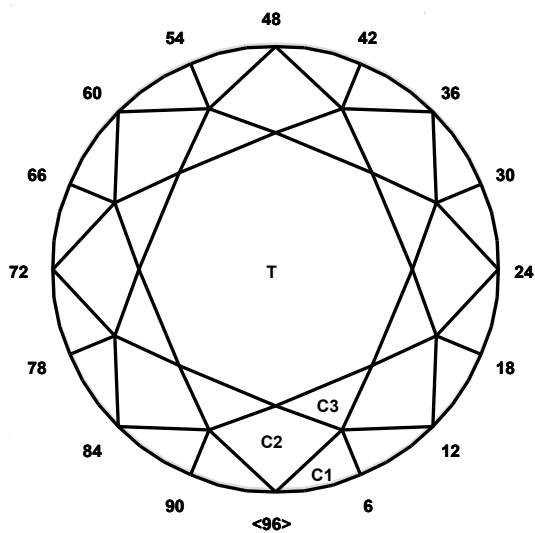
SECTION: I-8A.2, N-8A.3 STANDARD ROUND BRILLIANT with CONTINUOUS GIRDL

MATERIAL: COLOURED MM SPINEL

MINIMUM SIZE : 8mm

FACETS: 57 + 1 Rolled girdle (Crown 33 Pavilion 24)

MEETS - 41 (Crown - 24, Pavilion - 17)



Standard Round Brilliant with Continuous Girdle

Angles for R.I. = 1.76

57 + 1 rolled girdle

8-fold, mirror-image symmetry

96 index

$L/W = 1.000$ $T/W = 0.516$ $U/W = 0.516$

$P/W = 0.476$ $C/W = 0.228$

$Vol. /W^3 = 0.260$

PAVILION

P1 43.00° 03-09-15-21-27-33-39-45-
51-57-63-69-75-81-87-93

Create TCP

G 90.00°

Cut to size, "rolled girdle"

P2 41.00° 96-12-24-36-48-60-72-84

Meet, P1, G, form PCP

CROWN

C1 44.81° 03-09-15-21-27-33-39-45-
51-57-63-69-75-81-87-93

Set girdle thickness

C2 39.00° 96-12-24-36-48-60-72-84

Meet, C1, G

C3 23.49° 06-18-30-42-54-66-78-90

Meet, C1, C2

T 0.00° Table

Meet, C3, C2, C3

GEMKHANA 2019

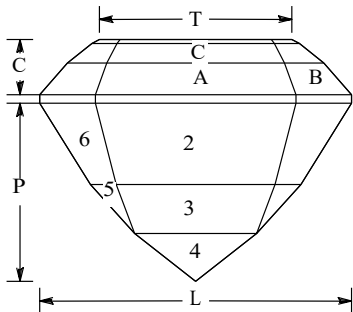
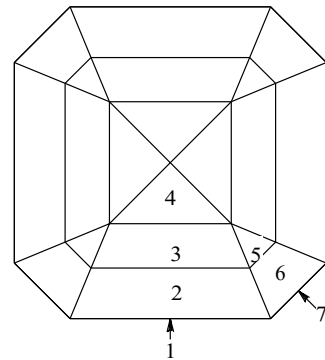
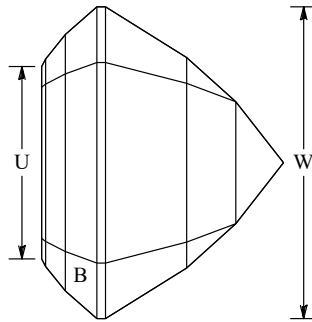
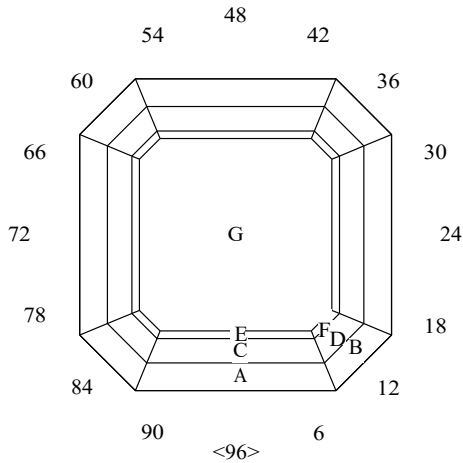
Section:- O-9B.1 I-9B.2 N-9B.3 SQUARE STEP CUT with CUT CORNERS

Material:- Labradorite

Facets:- 45 + 8 Girdle (Crown 25 Pavilion 20)

Meets:-49 (Crown 24 Pavilion 25)

MINIMUM SIZE 8mm



Angles for R.I. = 1.580

45 + 8 girdles = 53 facets

4-fold, mirror-image symmetry

96 index

$L/W = 1.000$ $T/W = 0.616$ $U/W = 0.616$

$P/W = 0.571$ $C/W = 0.177$

$Vol./W^3 = 0.372$

PAVILION

1	90.00°	96-24-48-72
2	58.00°	96-24-48-72
3	48.00°	96-24-48-72
4	38.00°	96-24-48-72
5	48.00°	12-36-60-84
6	58.00°	12-36-60-84
7	90.00°	12-36-60-84

CROWN

A	48.75°	96-24-48-72
B	48.75°	12-36-60-84
C	38.60°	96-24-48-72
D	38.60°	12-36-60-84
E	28.00°	96-24-48-72
F	28.00°	12-36-60-84
G	0.00°	Table

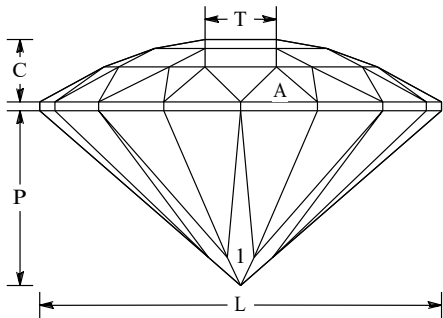
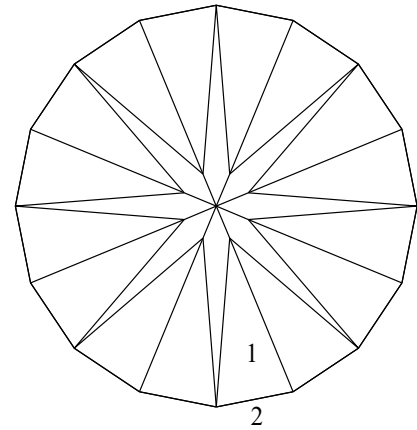
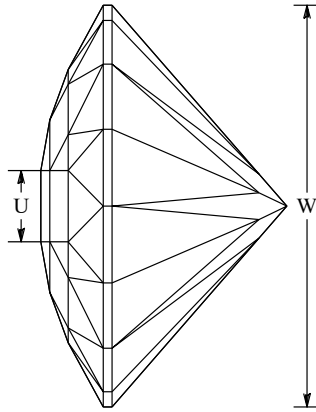
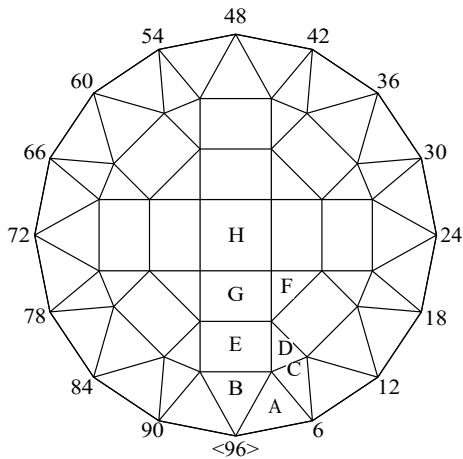
GEMKHANA 2019

Section O-10.1

Material:- Coloured Cubic Zirconia

Facets:- 81 + 16=97 (Crown 57 Pavilion 24)

Meets:- 69 (Crown 44 Pavilion 25)



PEWEE CROSS

Author Fred W Van Sant

Angles for R.I. = 2.160

81 + 16 girdles = 97 facets

8-fold, mirror-image symmetry

96 index

$L/W = 1.000$ $T/W = 0.178$ $U/W = 0.178$

$P/W = 0.435$ $C/W = 0.155$

$Vol./W^3 = 0.192$

PAVILION

1	42.00°	03-09-15-21-27-33-39-45- 51-57-63-69-75-81-87-93	Form TCP
2	90.00°	03-09-15-21-27-33-39-45- 51-57-63-69-75-81-87-93	Size stone
3	41.00°	96-12-24-36-48-60-72-84	Meet Girdle and form PCP

CROWN

A	32.00°	03-09-15-21-27-33-39-45- 51-57-63-69-75-81-87-93	Set girdle thickness
B	28.60°	96-12-24-36-48-60-72-84	Meet A-A and girdle
C	29.87°	06-18-30-42-54-66-78-90	Meet B-B and girdle
D	21.50°	06-18-30-42-54-66-78-90	Meet B-C-B
E	20.00°	96-12-24-36-48-60-72-84	Meet B-C-D
F	14.00°	12-36-60-84	Meet E-D-E
G	10.00°	96-24-48-72	Meet E-D-E
H	0.00°	Table	Meet G-F-G

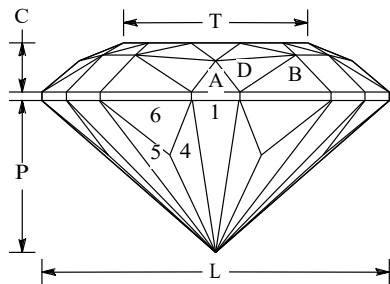
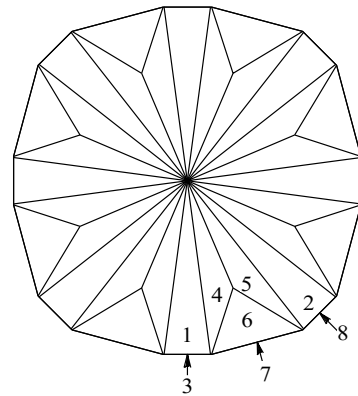
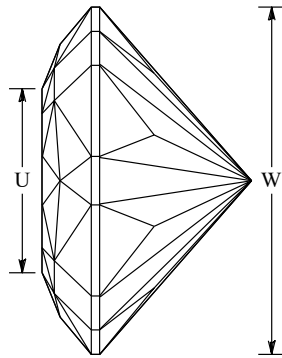
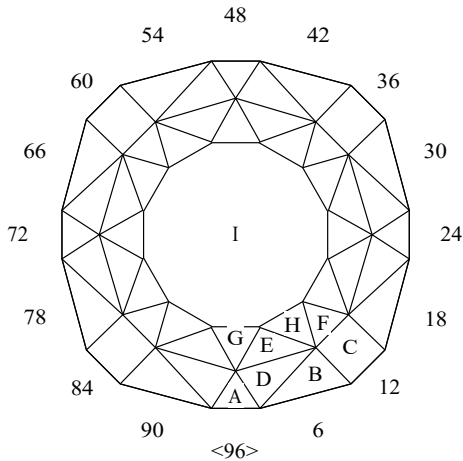
GEMKHANA 2019

Section:- O-10.2

Material:-Coloured Corundum

Facets:-49 + 16=65 (Crown 49 Pavilion 32)

Meets:- 57 (Crown 40 Pavilion 17)



RING-AROUND

Authjor Fred Van Sant

Angles for R.I. = 1.760

81 + 16 girdles = 97 facets

4-fold, mirror-image symmetry

96 index

$L/W = 1.000$ $T/W = 0.530$ $U/W = 0.530$

$P/W = 0.437$ $C/W = 0.141$

$Vol./W^3 = 0.222$

PAVILION

1	41.16°	96-24-48-72	Cut to PCP
2	39.00°	12-36-60-84	Meet PCP
3	90.00°	96-24-48-72	Set stone size
4	40.91°	02-22-26-46- 50-70-74-94	Meet PCP
5	39.85°	06-18-30-42- 54-66-78-90	Meet PCP
6	43.00°	04-20-28-44- 52-68-76-92	Meet 1-3-4
7	90.00°	04-20-28-44- 52-68-76-92	Level girdle
8	90.00°	12-36-60-84	Level girdle

CROWN

A	39.92°	96-24-48-72	Set girdle thickness
B	39.73°	04-20-28-44- 52-68-76-92	Level girdle
C	36.01°	12-36-60-84	Level girdle
D	37.06°	03-21-27-45- 51-69-75-93	Meet A-B
E	23.78°	02-22-26-46- 50-70-74-94	Meet A-D-B-C
F	16.33°	12-36-60-84	Meet B-C-C-B
G	22.03°	96-24-48-72	Meet A-D-E
H	14.80°	08-16-32-40- 56-64-80-88	Meet E-F
I	0.00°	Table	

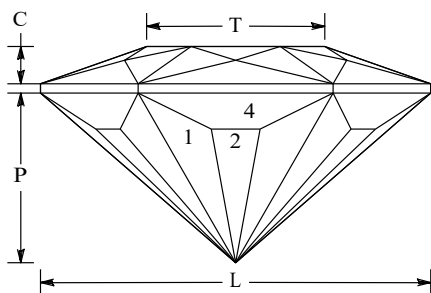
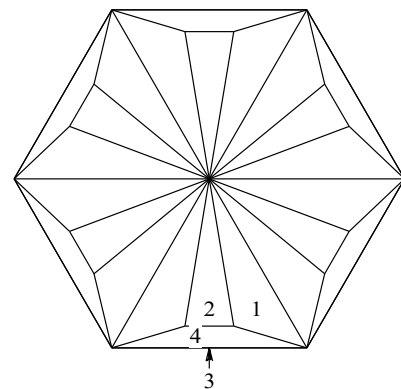
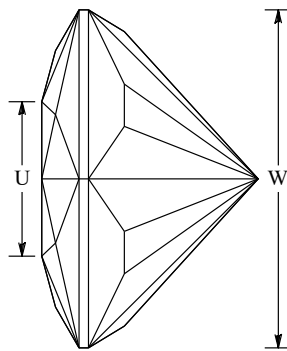
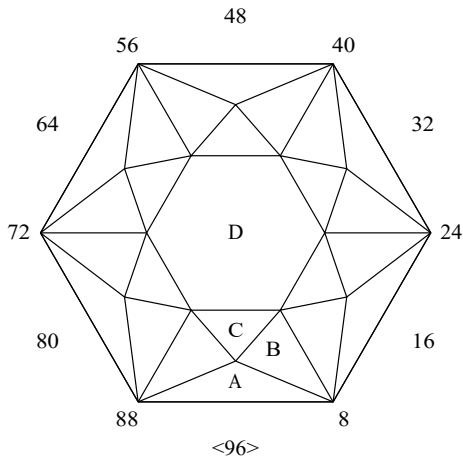
GEMKHANA 2019

Section:- I-10.3

Material:- Coloured Corundum

Facets:-49 + 6 Girdle (Crown 25 Pavilion 24)

Meets:- 25 (Crown 18 Pavilion 7)



HEXABRIL BARION HEXAGON

Author Reg Thompson/A. Wolkosky

Angles for R.I. = 1.760

49 + 6 girdles = 55 facets

6-fold, mirror-image symmetry

96 index

$L/W = 1.155$ $T/W = 0.528$ $U/W = 0.457$

$P/W = 0.502$ $C/W = 0.110$

$Vol./W^3 = 0.242$

PAVILION

1	42.00°	04-12-20-28-36-44- 52-60-68-76-84-92
2	42.25°	96-16-32-48-64-80
3	90.00°	96-16-32-48-64-80
4	58.90°	96-16-32-48-64-80

CROWN

A	30.00°	96-16-32-48-64-80
B	20.00°	04-12-20-28-36-44- 52-60-68-76-84-92
C	15.07°	96-16-32-48-64-80
D	0.00°	Table

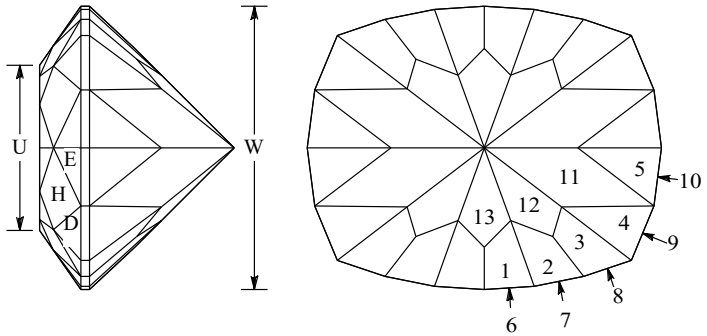
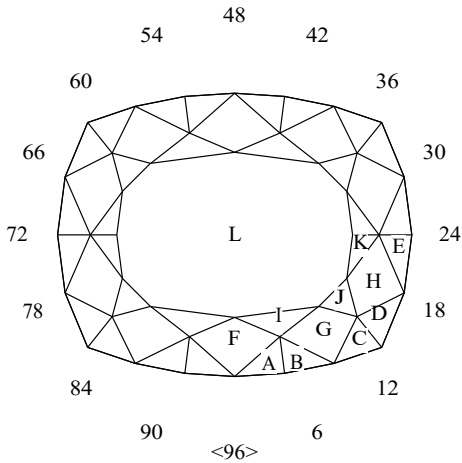
GEMKHANA 2019

Section:- I-10.4

Material:- Any Topaz

Facets:- 73 + 20 girdle (Crown 42 Pavilion 30)

Meets:- 73 (Crown 42 Pavilion 31)



EASY CUSHION#2

Author Robert Long

Angles for R.I. = 1.610

73 + 20 girdles = 93 facets

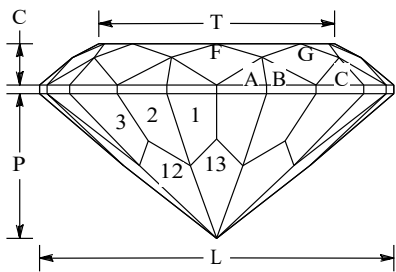
2-fold, mirror-image symmetry

96 index

$L/W = 1.250$ $T/W = 0.832$ $U/W = 0.583$

$P/W = 0.511$ $C/W = 0.146$

$Vol./W^3 = 0.327$



PAVILION

1	47.00°	01-47-49-95
2	46.18°	03-45-51-93
3	44.61°	05-43-53-91
4	40.30°	18-30-66-78
5	40.81°	22-26-70-74
6	90.00°	01-47-49-95
7	90.00°	03-45-51-93
8	90.00°	05-43-53-91
9	90.00°	18-30-66-78
10	90.00°	22-26-70-74
11	39.00°	20-28-68-76
12	43.37°	04-44-52-92
13	45.03°	96-48

CROWN

A	37.16°	01-47-49-95
B	37.17°	03-45-51-93
C	36.67°	05-43-53-91
D	38.66°	18-30-66-78
E	40.24°	22-26-70-74
F	35.00°	96-48
G	35.00°	04-44-52-92
H	34.99°	20-28-68-76
I	28.33°	02-46-50-94
J	22.01°	12-36-60-84
K	27.87°	22-26-70-74
L	0.00°	Table

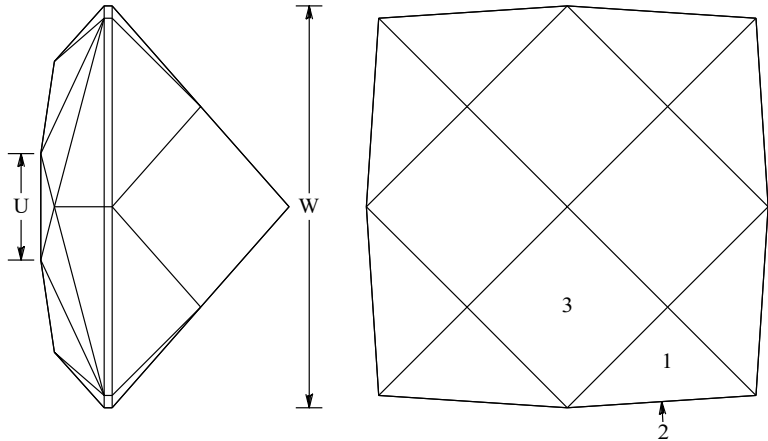
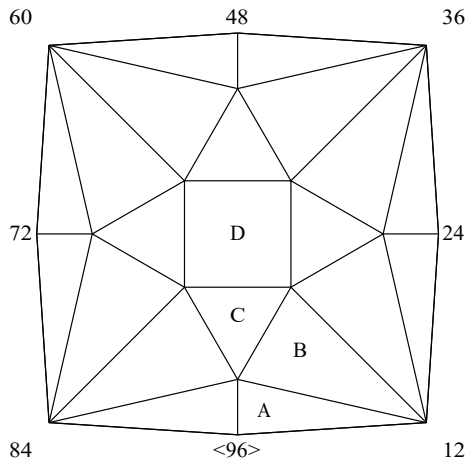
GEMKHANA 2019

Section :- N-10.5

Material :- Coloured MM Spinel

Facets :- 33 + 8 (Crown 21 Pavilion 12)

Meets :- 29 (Crown 16 Pavilion 13)



YGGDRASILL

Author Atya Akhavan

Angles for R.I. = 1.720

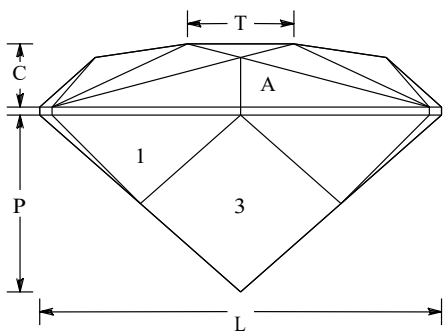
2-fold, mirror-image symmetry

96 index

$L/W = 1.000$ $T/W = 0.265$ $U/W = 0.265$

$P/W = 0.440$ $C/W = 0.157$

$Vol./W^3 = 0.246$



PAVILION

1	43.35°	01-23-25-47- 49-71-73-95	Form TCP
2	90.00°	01-23-25-47- 49-71-73-95	Cut stone shape
3	41.36°	96-24-48-72	Form PCP & Meet at girdle

CROWN

A	41.87°	01-23-25-47- 49-71-73-95	Set girdle thickness
B	18.44°	10-14-34-38- 58-62-82-86	Meet A-A @ girdle
C	8.38°	96-24-48-72	Meet A-A-B-B
D	0.00°	Table	

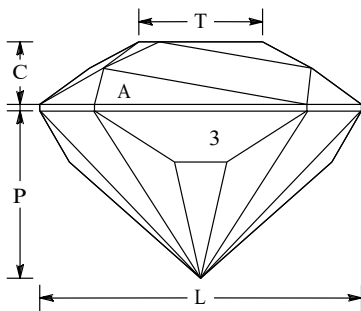
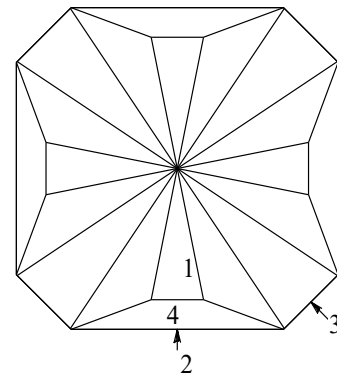
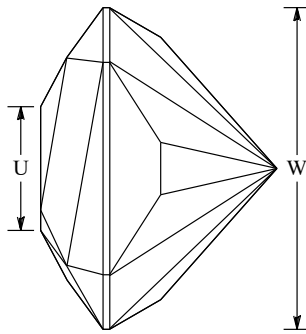
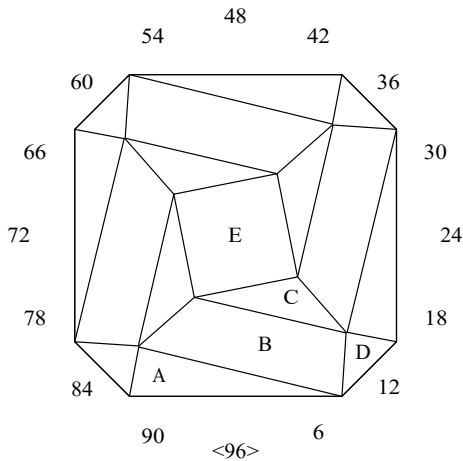
GEMKHANA 2019

Section:- N-10.6

Material:- Any Quartz

Facets :- 37 + 8 Girdle (Crown 17 Pavilion 20)

Meets:- 25 (Crown 16 Pavilion 9)



TROTTOLA

Author Marco Voltolini

Angles for R.I. = 1.540

37 + 8 girdles = 45 facets

4-fold, mirror-image symmetry

96 index

$L/W = 1.000$ $T/W = 0.384$ $U/W = 0.384$

$P/W = 0.520$ $C/W = 0.195$

$Vol./W^3 = 0.297$

PAVILION

1	41.50°	96-06-12-18-	Form TCP
		24-30-36-42-	
		48-54-60-66-	
		72-78-84-90	
2	90.00°	96-24-48-72	Set stone size
3	90.00°	12-36-60-84	Set stone size
4	60.00°	96-24-48-72	Mett P1-P1 at girdle

CROWN

A	36.19°	96-24-48-72	Set girdle thickness
B	30.00°	01-25-49-73	Meet A at girdle
C	22.13°	03-27-51-75	Meet A-B
D	41.00°	12-36-60-84	Meet B-C
E	0.00°	Table	

Note:- Rotation of Crown spiral in either direction will be eligible

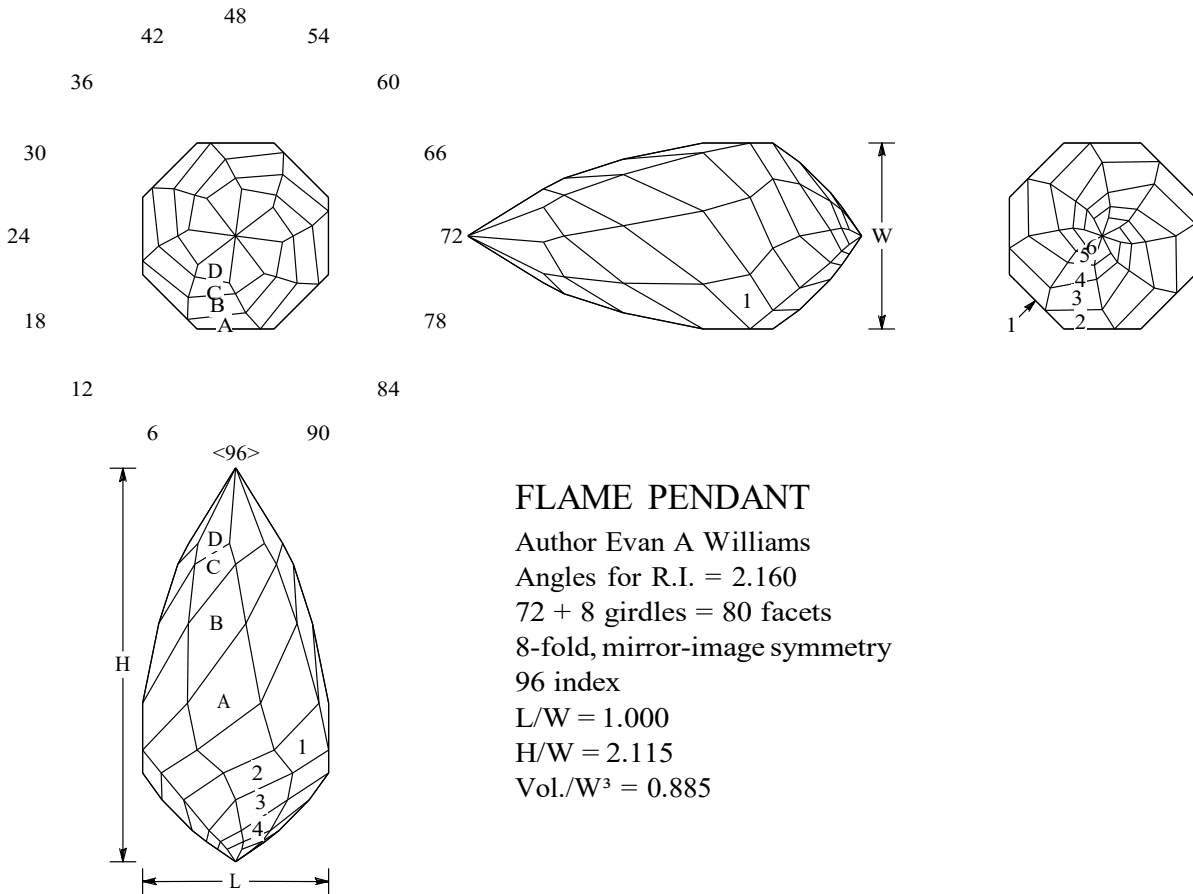
GEMKHANA 2019

Section :- O-11.1

Material:- Colourless Cubic Zirconia

Facets:- 72 + 8 Girdle (Crown 32 Pavilion 40)

Meets:- 66 (Crown 25 Pavilion 41)



FLAME PENDANT

Author Evan A Williams

Angles for R.I. = 2.160

72 + 8 girdles = 80 facets

8-fold, mirror-image symmetry

96 index

L/W = 1.000

H/W = 2.115

Vol./W³ = 0.885

PAVILION

6	35.00°	11-23-35-47-59-71-83-95	Form PCP
5	38.00°	10-22-34-46-58-70-82-94	Cut to Size
4	45.00°	08-20-32-44-56-68-80-92	Meet P1-P2
3	50.00°	06-18-30-42-54-66-78-90	Meet P2-P3
2	60.00°	04-16-28-40-52-64-76-88	Meet P3-P4
1	90.00°	96-12-24-36-48-60-72-84	Meet P4-P5

CROWN

A	80.00°	02-14-26-38-50-62-74-86	Meet P5-P6
B	75.00°	04-16-28-40-52-64-76-88	Meet P6-C1
C	70.00°	06-18-30-42-54-66-78-90	Meet C1-C2
D	60.00°	08-20-32-44-56-68-80-92	Meet C2-C3 and form PCP

Note: 1.Minor adjustments to angles may be required to achieve PCP'S

2. Rotation of spiral will be eligible in either direction

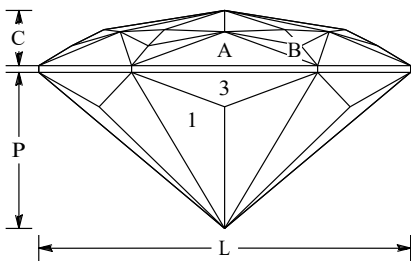
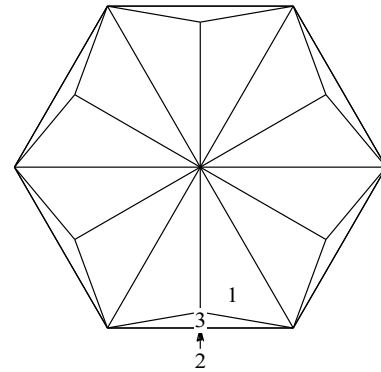
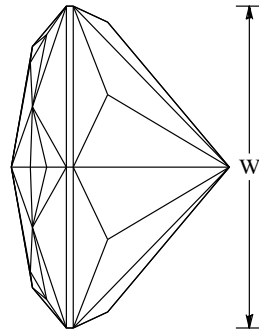
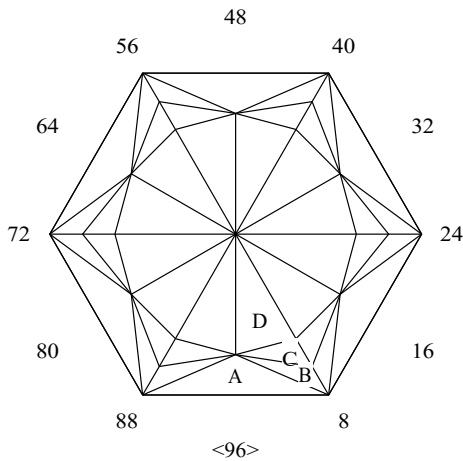
GEMKHANA 2019

Section:- I-11.2

Material:- Coloured MM Spinel

Facets:-60 + 8 Girdle (Crown 42 Pavilion 18)

Meets:- 32 (Crown 25 Pavilion 7)



MINI HEXAGON APEX

Author Norman Steele

Angles for R.I. = 1.720

60 + 6 girdles = 66 facets

6-fold, mirror-image symmetry

96 index

L/W = 1.155

P/W = 0.485 C/W = 0.171

Vol./W³ = 0.254

PAVILION

1	41.00°	04-12-20-28-36-44-52-60-68-76-84-92	Cut of facets to PCP
2	90.00°	96-16-32-48-64-80	Set stone size
3	65.00°	96-16-32-48-64-80	Meet P1-P1 at corners

CROWN

A	40.00°	96-16-32-48-64-80	Set girdle thickness
B	33.00°	02-14-18-30-34-46-50-62-66-78-82-94	Meet C1-C1-girdle
C	28.00°	03-13-19-29-35-45-51-61-67-77-83-93	Meet C2-C1-C2
D	10.00°	01-15-17-31-33-47-49-63-65-79-81-95	Meet C1-C2-C3

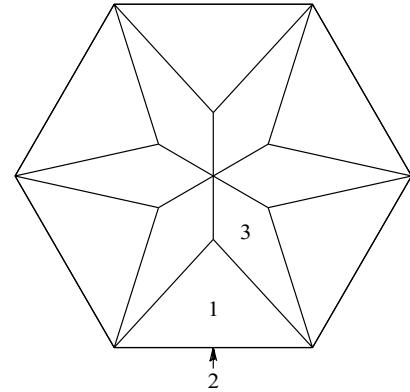
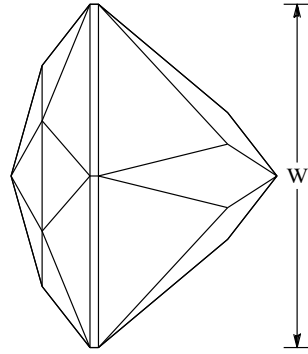
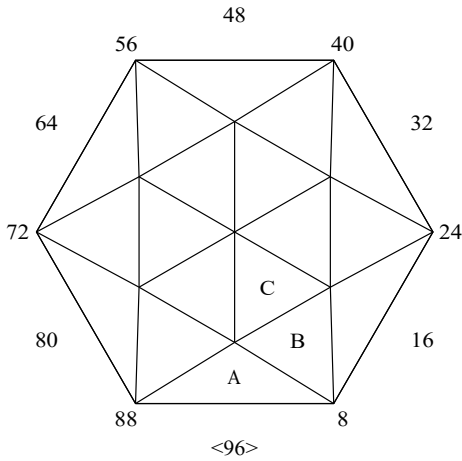
GEMKHANA 2019

Section:- N-11.3

Materials:- Coloured Corundum

Facets:- 30 + 8 Girdle (Crown 18 Pavilion 12)

Meets:- 20 (Crown 13 Pavilion 7)



APHEX

Author Jeff Ford

Angles for R.I. = 1.760

30 + 6 girdles = 36 facets

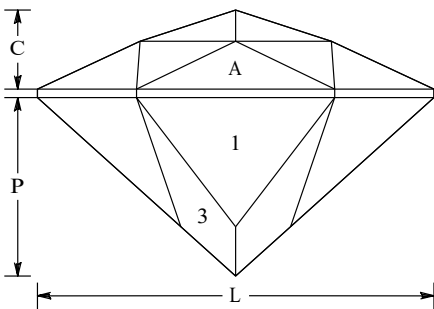
6-fold, mirror-image symmetry

96 index

$L/W = 1.155$

$P/W = 0.520$ $C/W = 0.230$

$Vol./W^3 = 0.272$



PAVILION

1	50.00°	96-16-32-48-64-80	Form TCP
2	90.00°	96-16-32-48-64-80	Set stone size
3	42.00°	08-24-40-56-72-88	MeetP1-P1 at girdle

CROWN

A	38.00°	96-16-32-48-64-80	Set girdle thickness
B	25.00°	08-24-40-56-72-88	Meet C1-C1 at girdle
C	18.00°	08-24-40-56-72-88	Meet C1-C2-C2