

15/5/2009

Marilyn Behrens

Dear Marilyn

Just a short note with my rough drawings of a plan of our club's folding showcases, I am no draftsman I hope you or one of your members can understand them. As I have said on they are not to scale. We used reasonably heavy 3ply and any framing timber was done with 1cm square pine screwed and glued.

I hope this is of some help to your club, we find them much easier to transport than a fixed showcase.

If you have any further queries let me know

All the best with this project if you can understand my plans.

Regards,

Toby Decker.

HORSHAM CLUB SHOWCASE

This case is quite heavy, suppose the glass adds a lot of weight - because it should be safety glass.

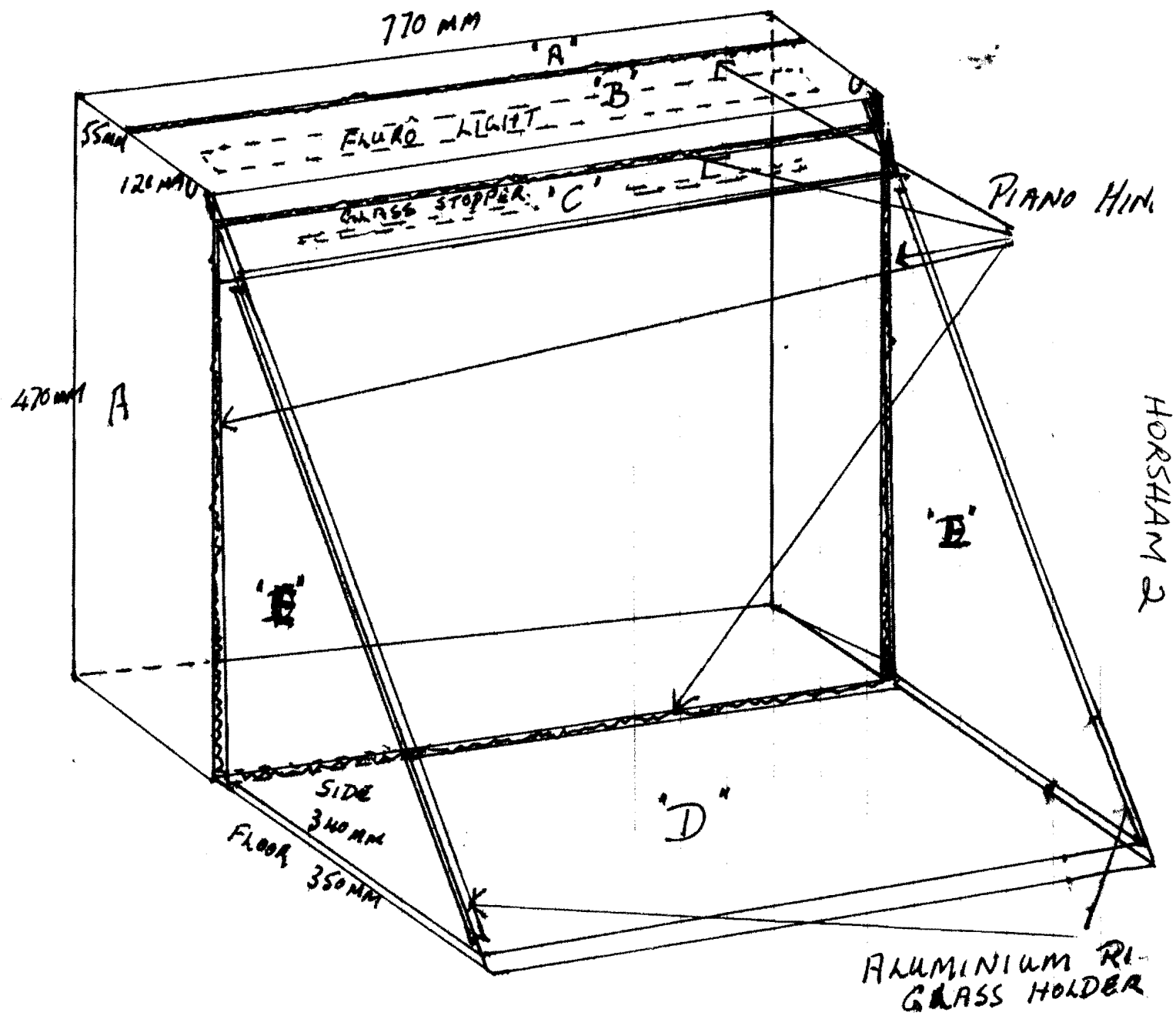
Anyone who make this or any other case, please tell me how it went

Cheers Marilyn Behrens

mbehrens@optusnet.com.au

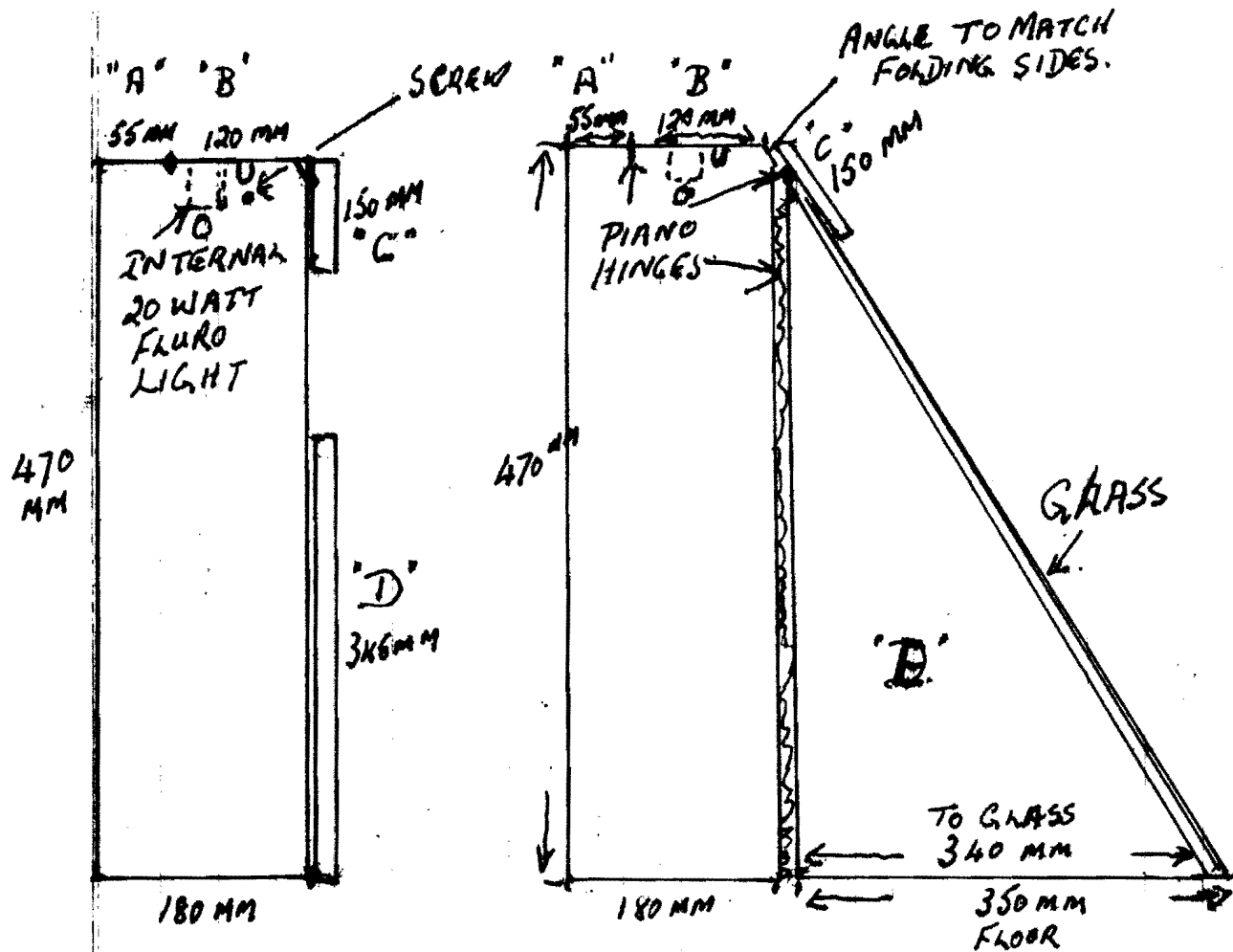
02 9635 8218

- 'A' MAIN BODY OF SHOWCASE.
- 'B' LIFT UP LID WITH LIGHT WITH 'C' HINGED TO 'B'.
- 'D' FOLD UP FLOOR.
- 'E' FOLD IN SIDES.



FOLDING SHOWCASE.

(2) 1mm FRAMING TIMBER WAS USED FOR GLUEING & SCREWING SUPPORT. BETWEEN "A" & "B" PIANO HINGE ALLOWS OPENING TO P INSIDE "C" IS A 1mm TIMBER TO STOP THE GLASS BEING SLID UP. INSIDE "B" IS A BLOCK FITTED TO HOLD GLASS UP AT BACK WHEN FOLDED UP AND ALLOWS A SCREW TO LOCK THE CASE CLOSED WHEN BEING USED. (2) 1mm TIMBER REQUIRED ON SIDES "E" FOR GLASS SLIDES.



SKETCHES NOT TO SCALE





