

example of finished showcase  
is at nrlc

Bob Wright design  
via Kelly Sauls  
May 2015

ALL DIMS IN mm

CASE MATERIAL

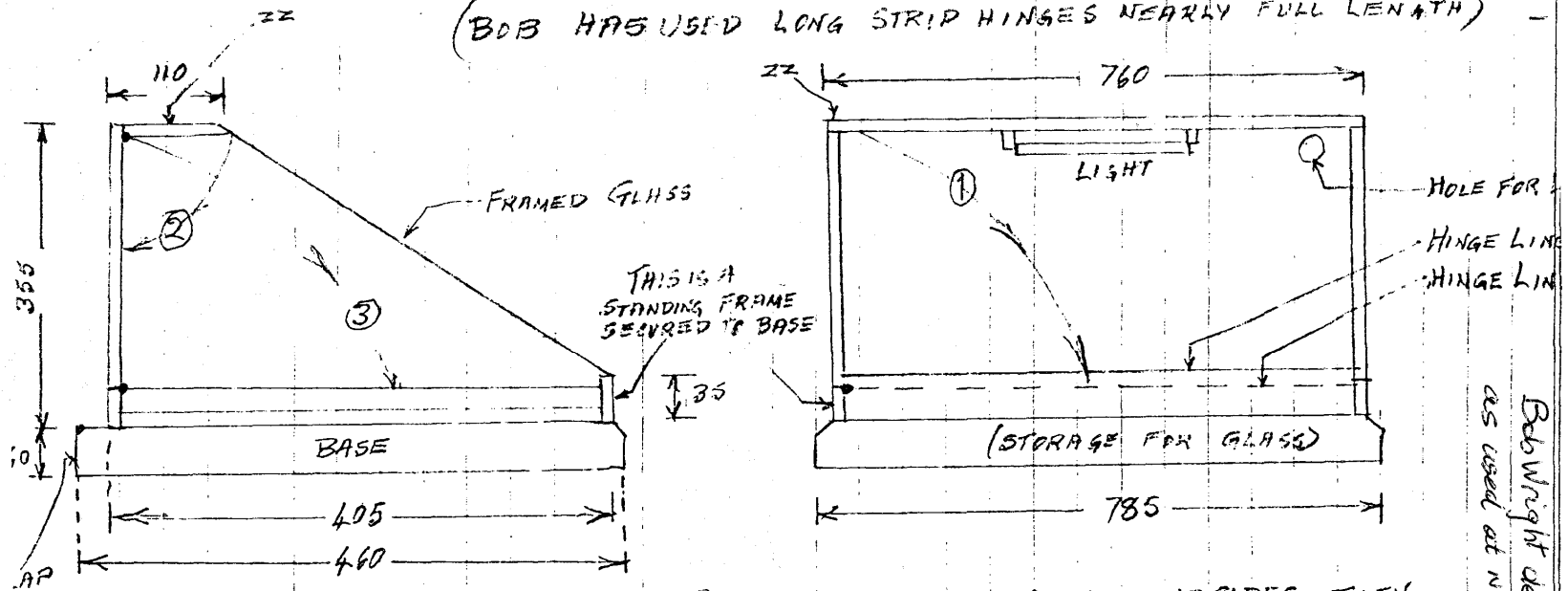
SIDES, BACK, TOP: 6mm PLY.  
BOTTOM OF CASE IS TOP OF BASE

BASE MATERIAL

12mm PLY FOR  
BOTTOM, SIDES, ENDS

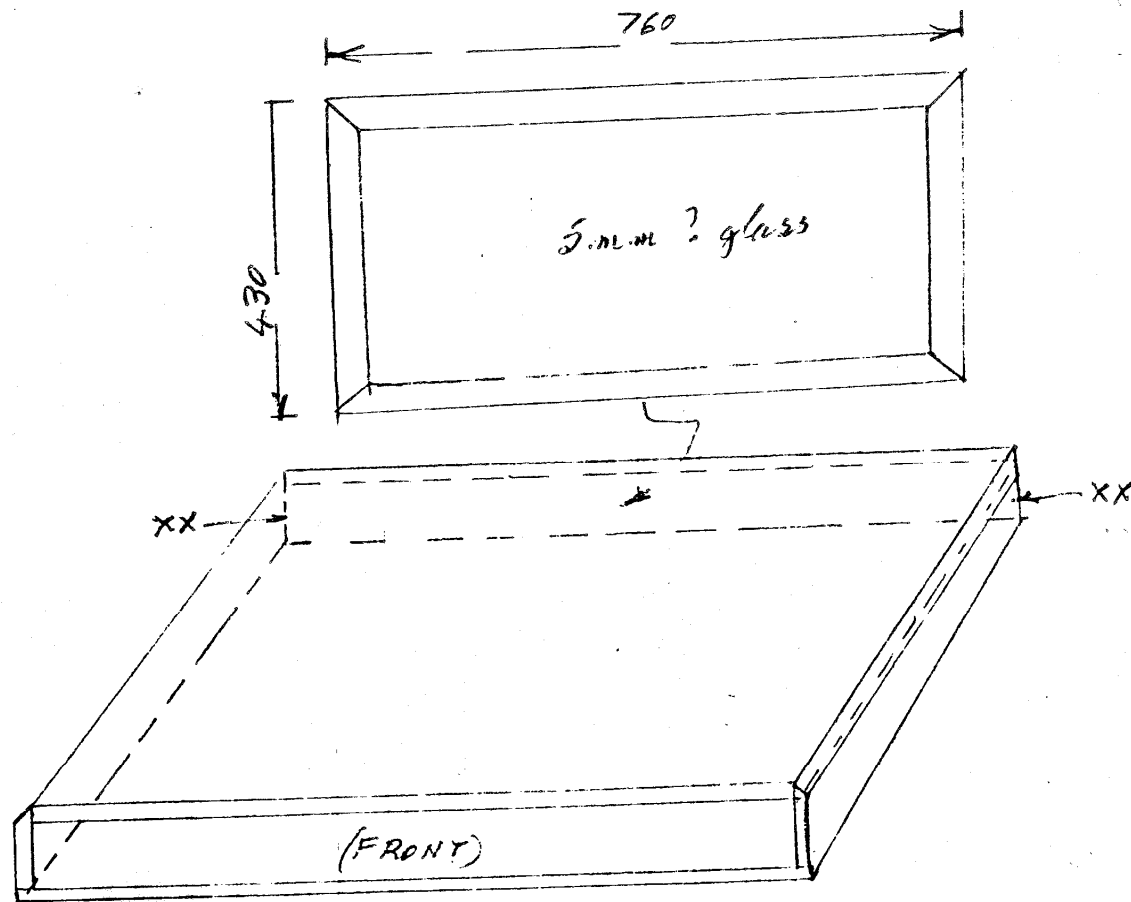
HINGE POINTS: "•" HINGE LINE OF BACK IS 20mm ABOVE  
THE HINGE LINE OF SIDES!

(BOB HAS USED LONG STRIP HINGES NEARLY FULL LENGTH)



SETTING UP: RAISE BACK IN POSITION, RAISE TOP & FOLD UP SIDES, THEN  
SECURE SIDES UNDER TOP BY PINS (NAILS ?) AT ZZ

CLOSING: REVERSE ABOVE. WHEN CLOSED HEIGHT IS 100mm



BASE: FRONT END + 3 SIDES FIXED SOLID.  
BACK END IS TEMP. COVER OF GLASS STORAGE,  
THEN FIX BY, SAY, SCREWS AT XX

(NO OTHER LOOSE PARTS) - OR

BACK END CAN BE HINGED TO TOP OF BASE -  
(BOTTOM OF CASE) AS A FLAP (NO LOOSE PARTS AT ALL)  
EXCEPT PINS, SCREWS.

Dim's in mm.

Bob Wright

ALL DIMS IN mm

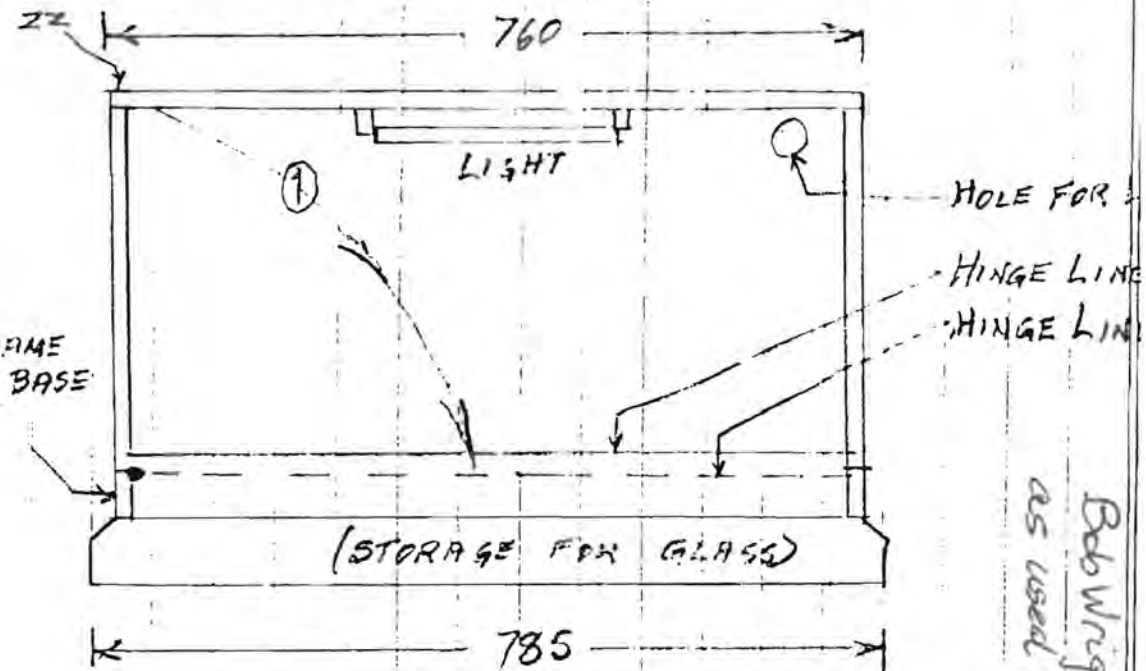
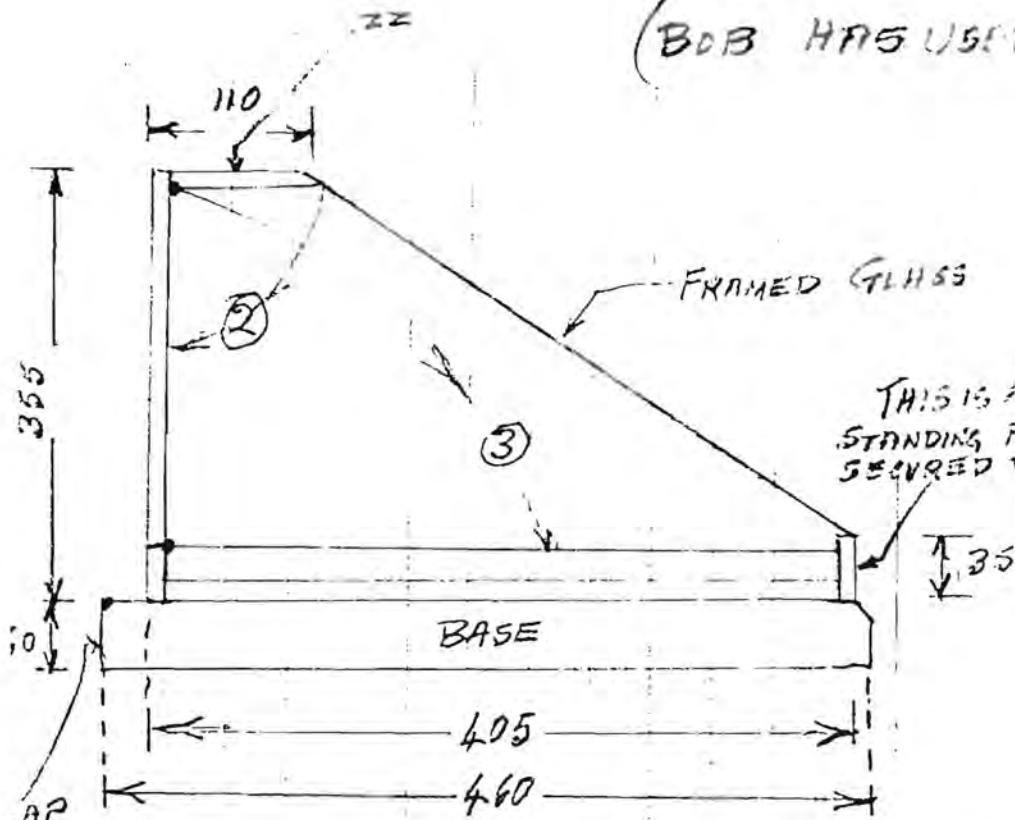
CASE MATERIAL

SIDES, BACK, TOP; 8 mm PLY.  
BOTTOM OF CASE IS TOP OF BASE

BASE MATERIAL 12 mm PLY FOR  
BOTTOM, SIDES, ENDS

HINGE POINTS: "o" HINGE LINE OF BACK IS 20 mm ABOVE  
THE HINGE LINE OF SIDES!

(BOB HAS USED LONG STRIP HINGES NEARLY FULL LENGTH)



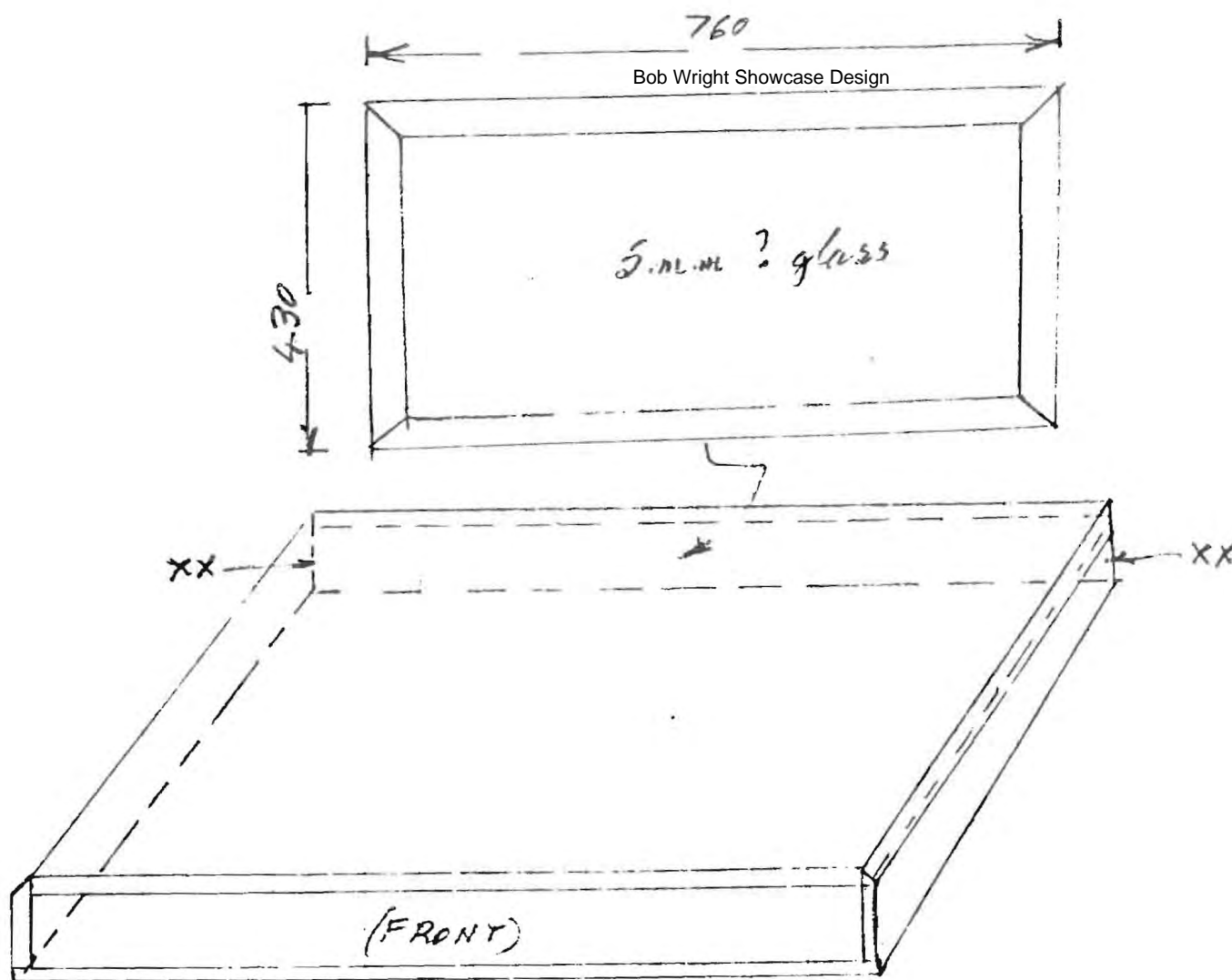
SETTING UP:

RAISE BACK IN POSITION, RAISE TOP & FOLD UP SIDES, THEN  
SECURE SIDES UNDER TOP BY PINS (NAILS ?) AT ZZ

CLOSING:

REVERSE ABOVE. WHEN CLOSED HEIGHT IS 160 mm

BW1  
Bob Wright design 1  
as used at NDLC (MSU)  
DETAIL 0



BASE: FRONT END + 3 SIDES FIXED SOLID.  
 BACK END IS TEMP. COVER OF GLASS STORAGE,  
 THEN FIX BY, SAY, SCREWS AT XX

(NO OTHER LOOSE PARTS) — OR

BACK END CAN BE HINGED TO TOP OF BASE —  
 (BOTTOM OF CASE) AS A FLAP (NO LOOSE PARTS AT ALL)  
 EXCEPT PINS, SCREWS.

DIMS IN mm.

Bob Wright 2