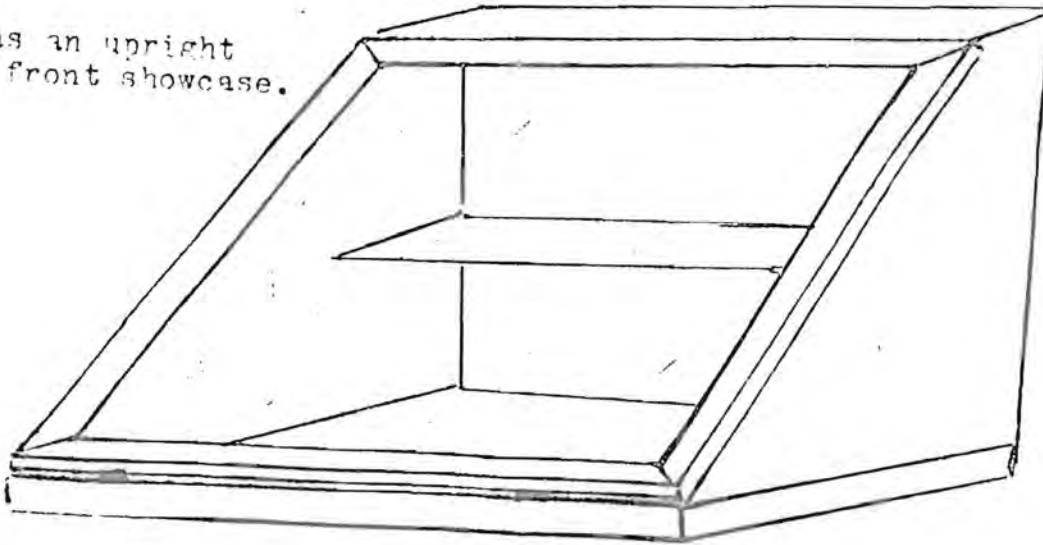


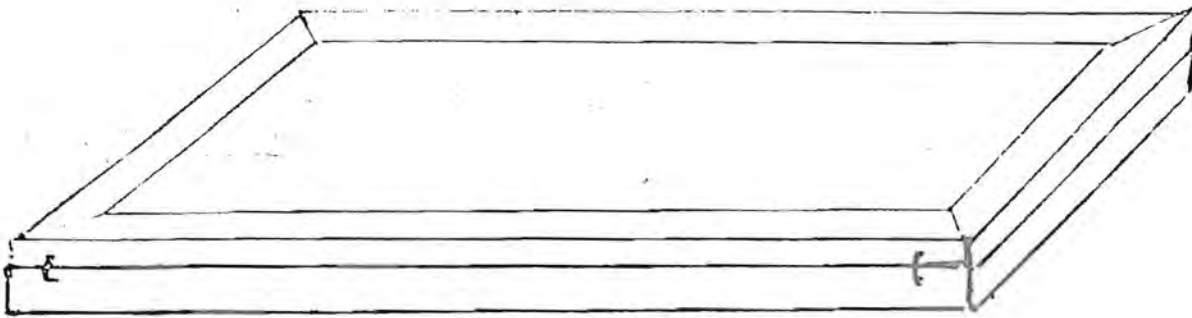
from Doris McPherson, Sec, Far North Reg Club 1981

McPherson

Used as an upright
slant front showcase.



Used as a flat showcase.

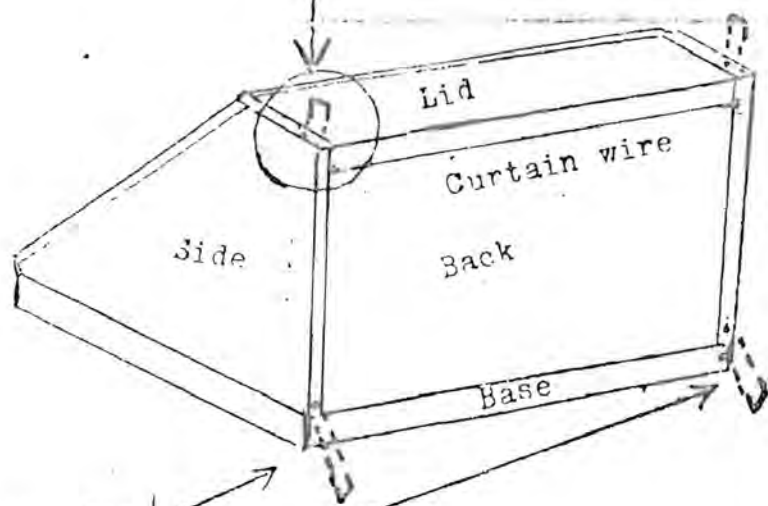
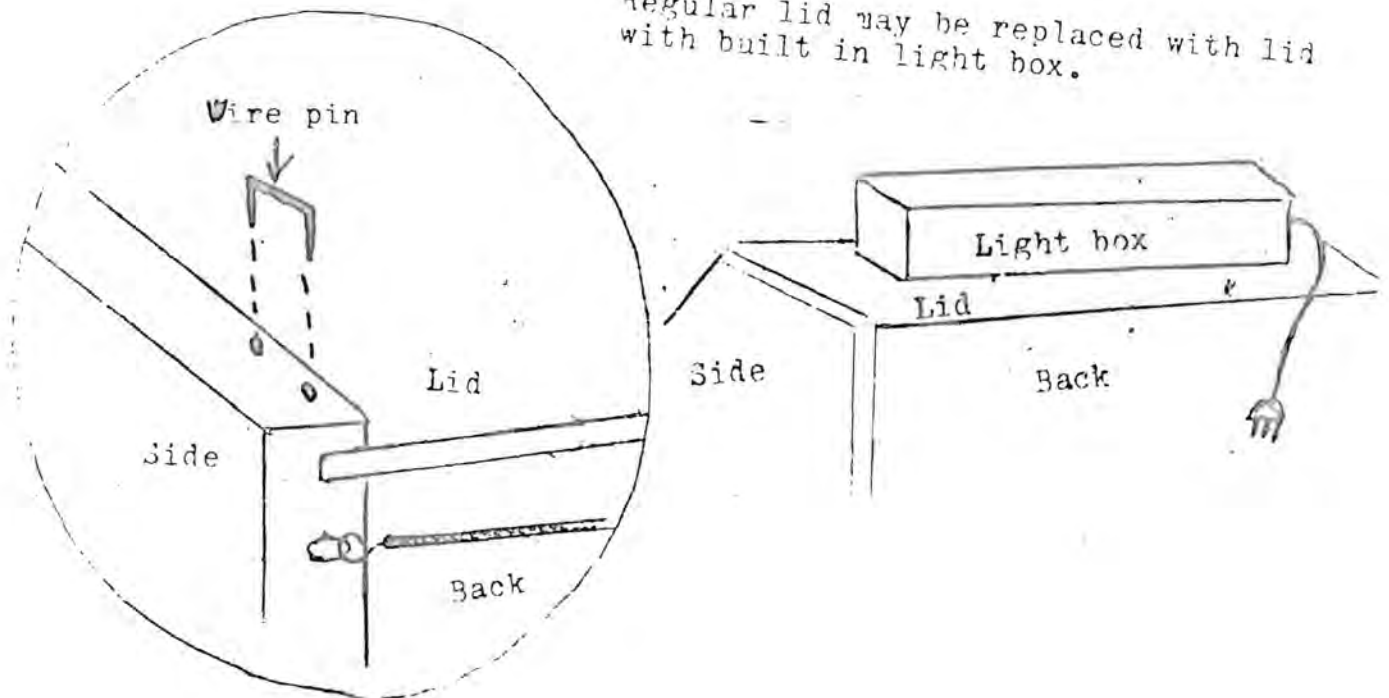


24/9/10
Barry Waters
finding original & will send
to me

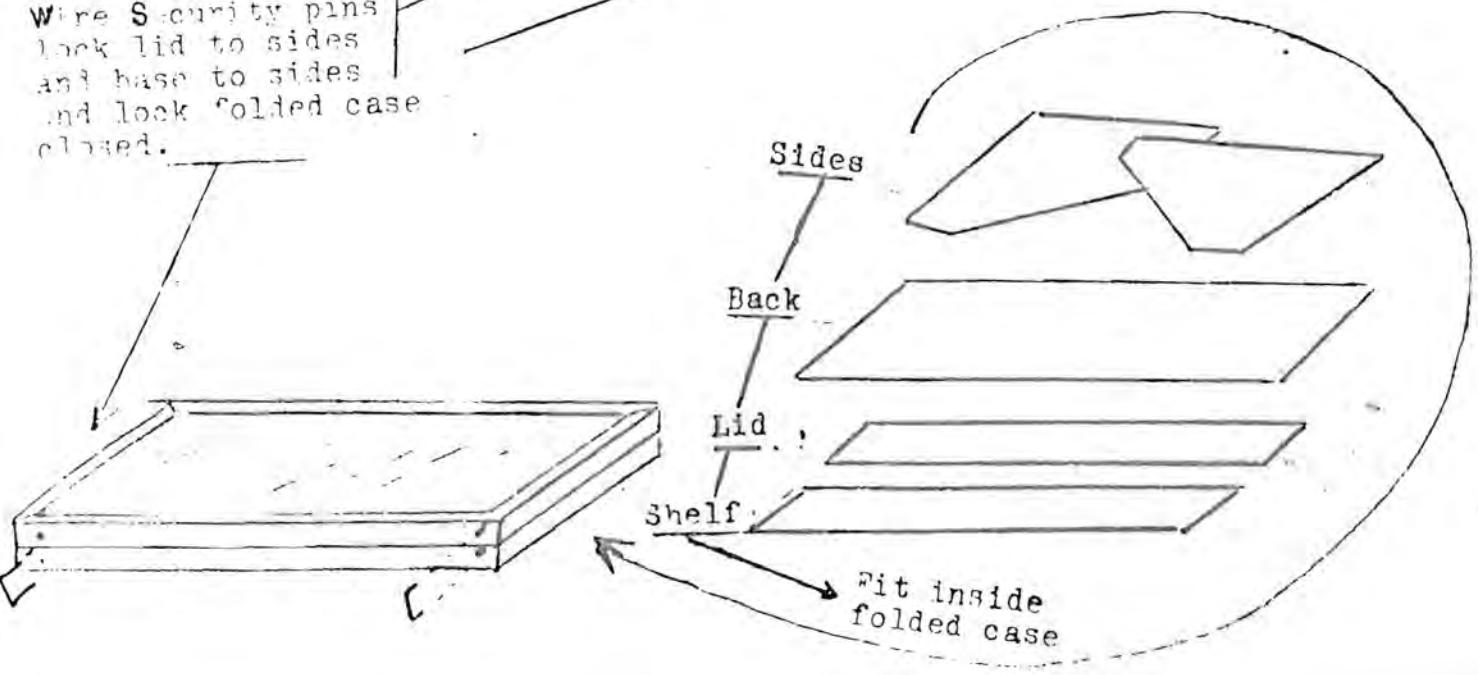
Designed by:
Barry Waters & Peter Philli
Beenleigh Lapidary Club,
Queensland.

Doris McPherson 2

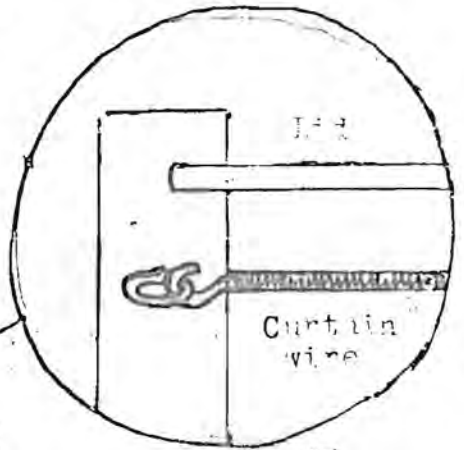
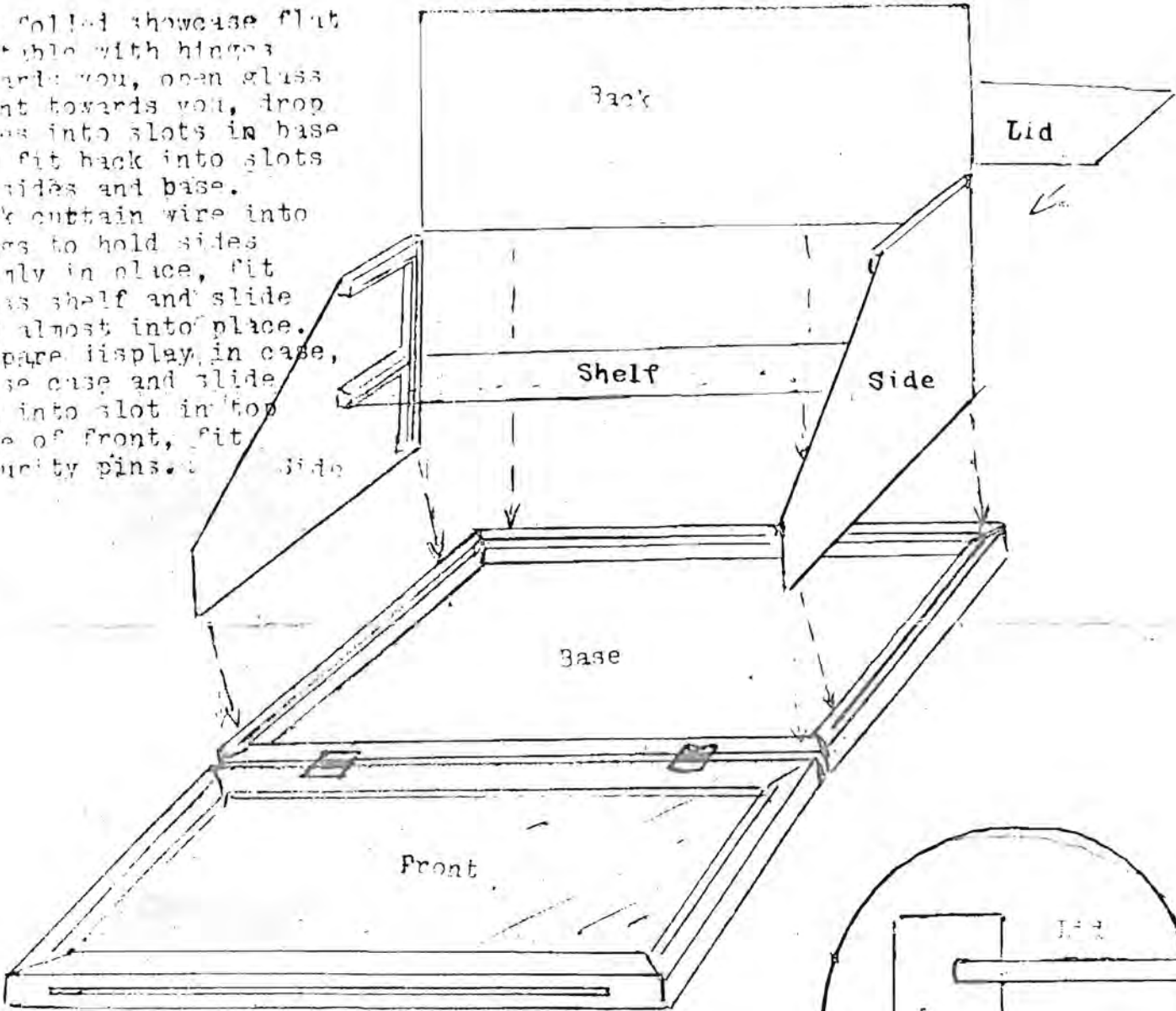
Regular lid may be replaced with lid with built in light box.



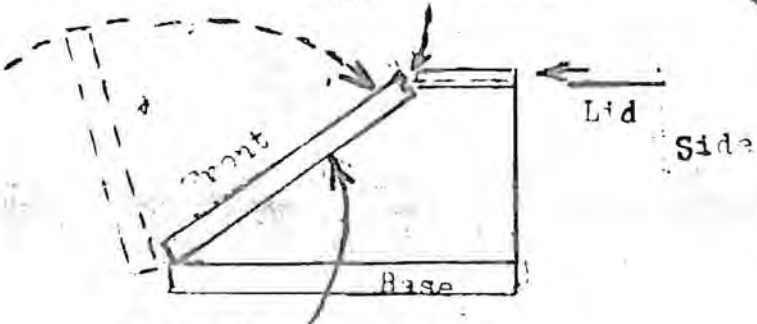
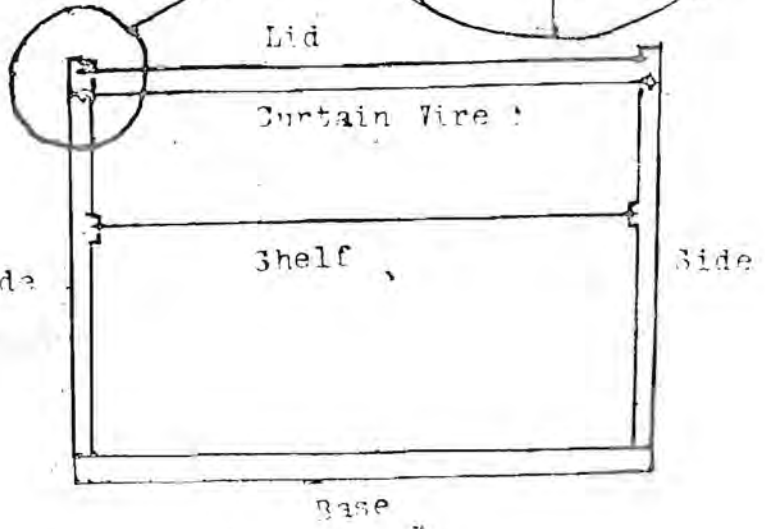
Wire Security pins lock lid to sides and base to sides and lock folded case closed.



Lid rolled showcase flat on table with hinges towards you, open glass front towards you, drop sides into slots in base and fit back into slots in sides and base. Hook curtain wire into rings to hold sides snugly in place, fit glass shelf and slide lid almost into place. Prepare display in case, close case and slide lid into slot in top edge of front, fit security pins.



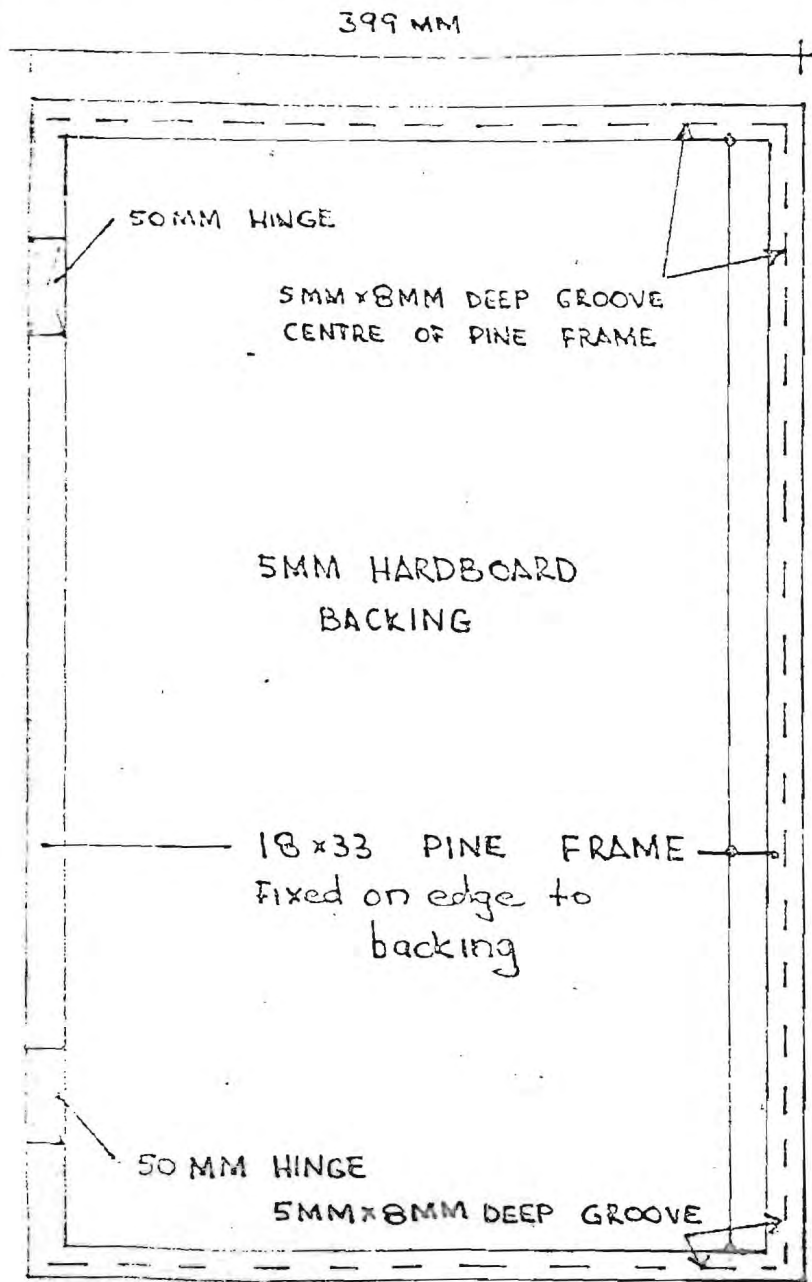
Lid locks into groove in top edge of front



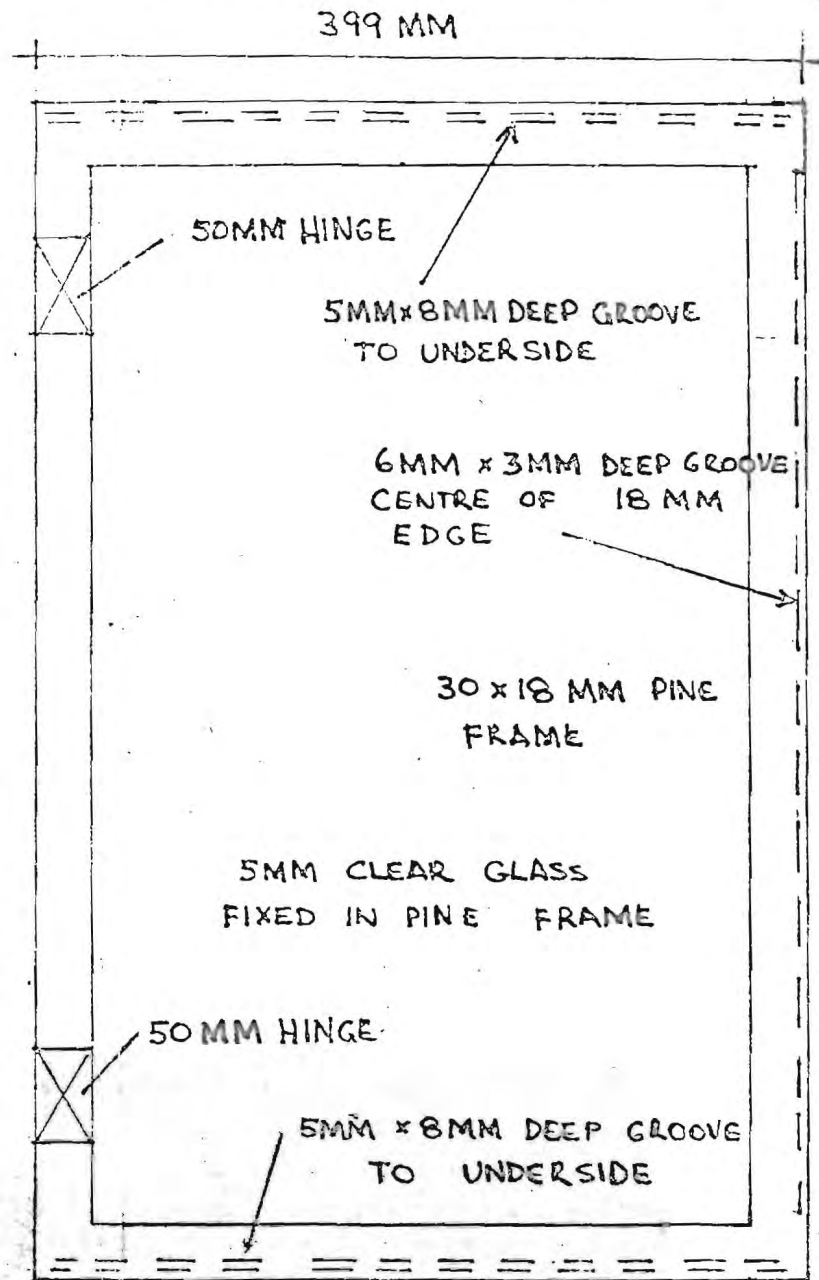
Sides fit into grooves in underside of front

SIDE VIEW

REAR VIEW



BASE



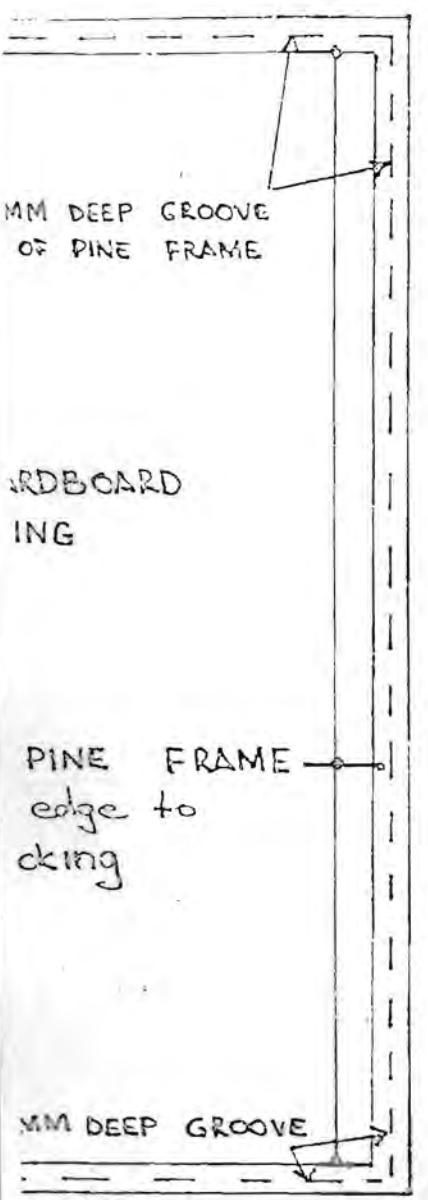
FRONT

644 MM

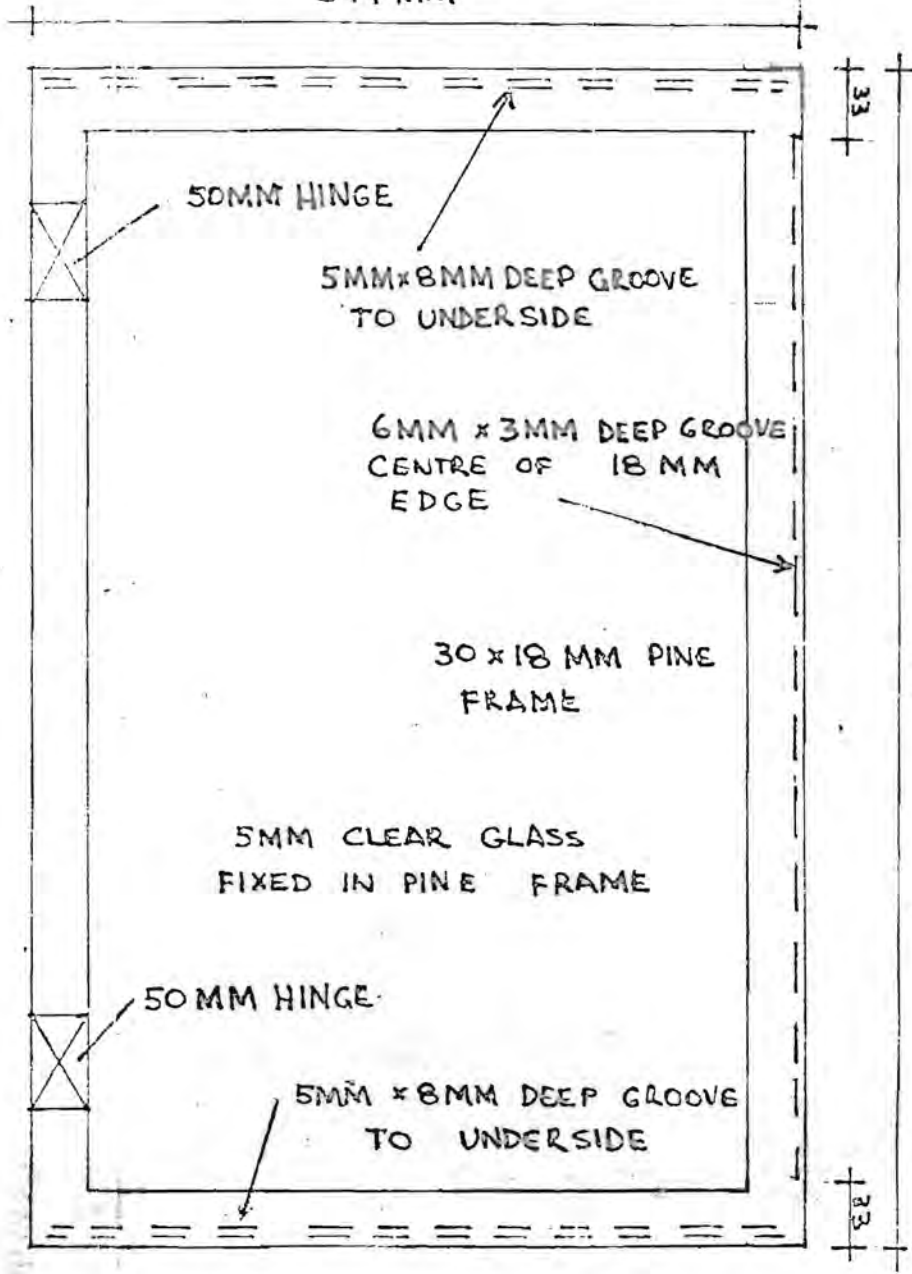
Doris McPherson 4

MM

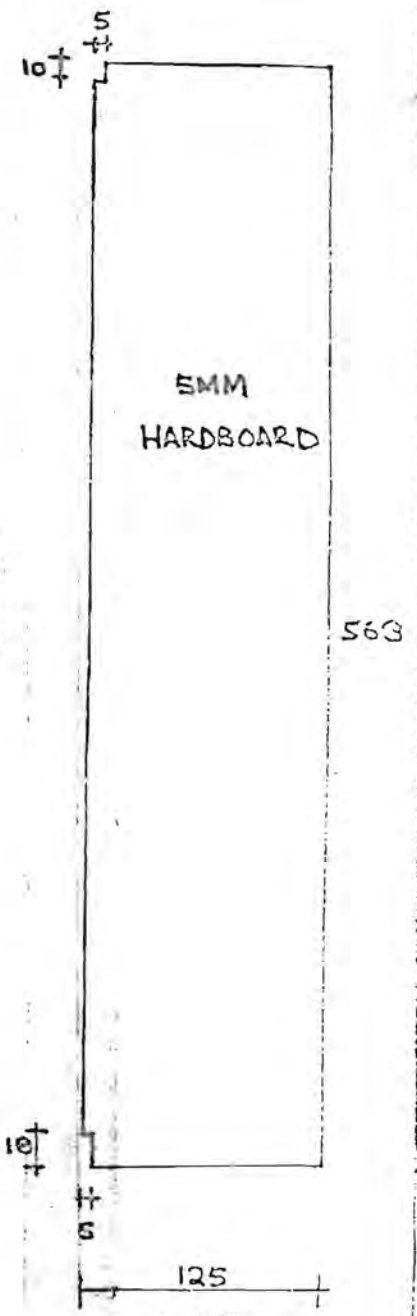
399 MM



644 MM

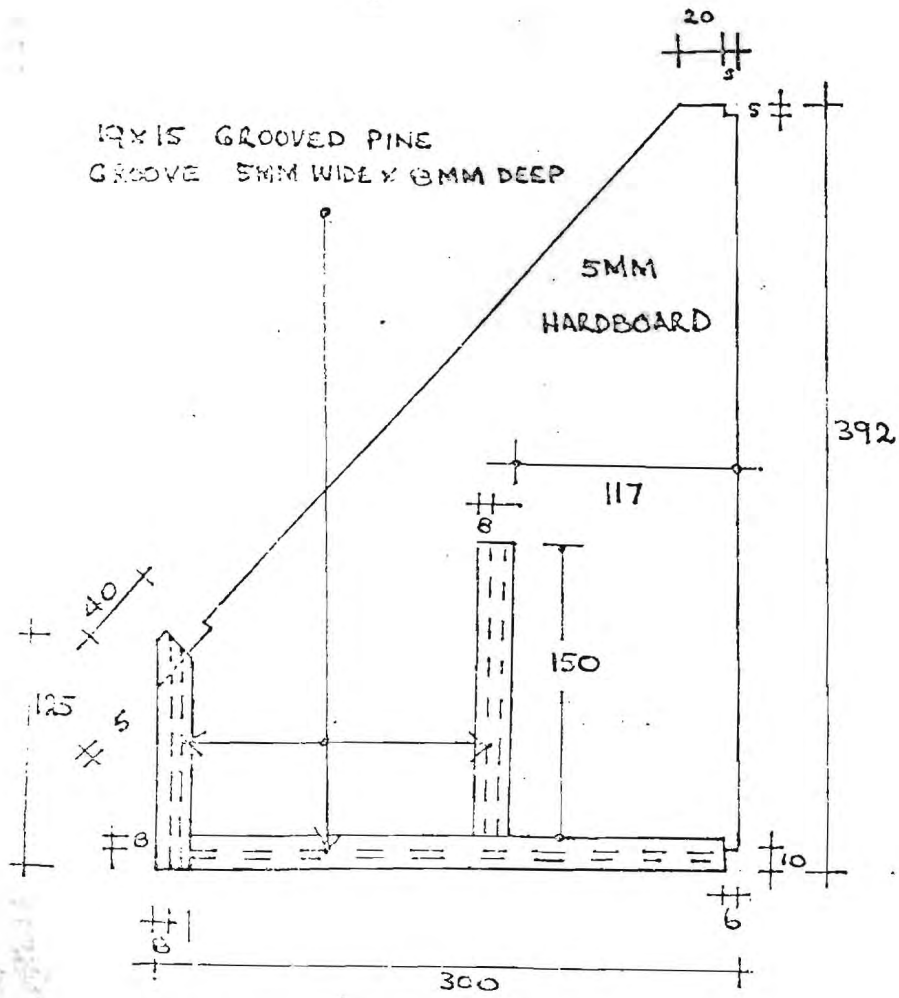


FRONT

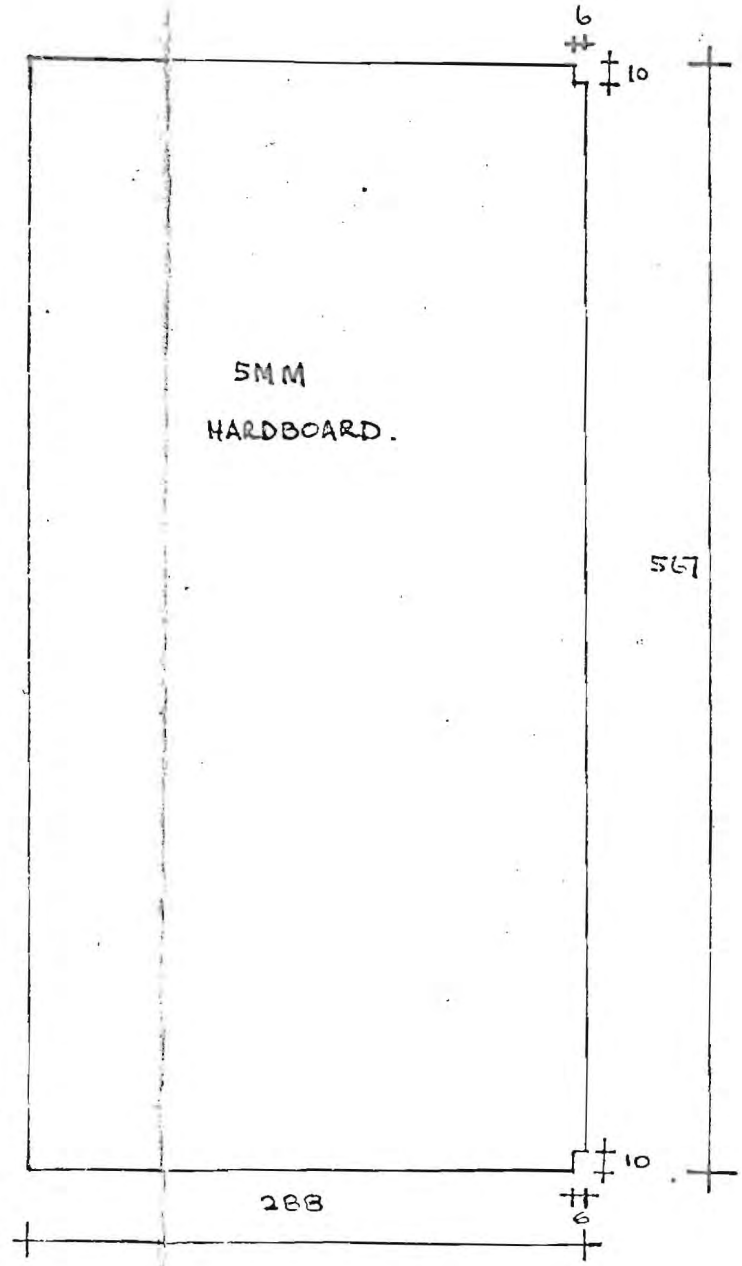


LID

Doris McPherson 5



SIDE 'A'

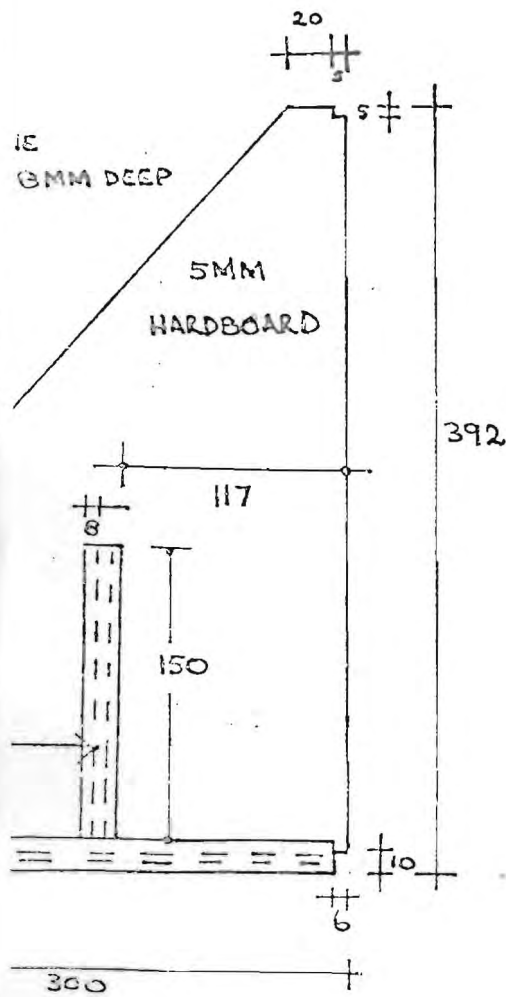


BACK

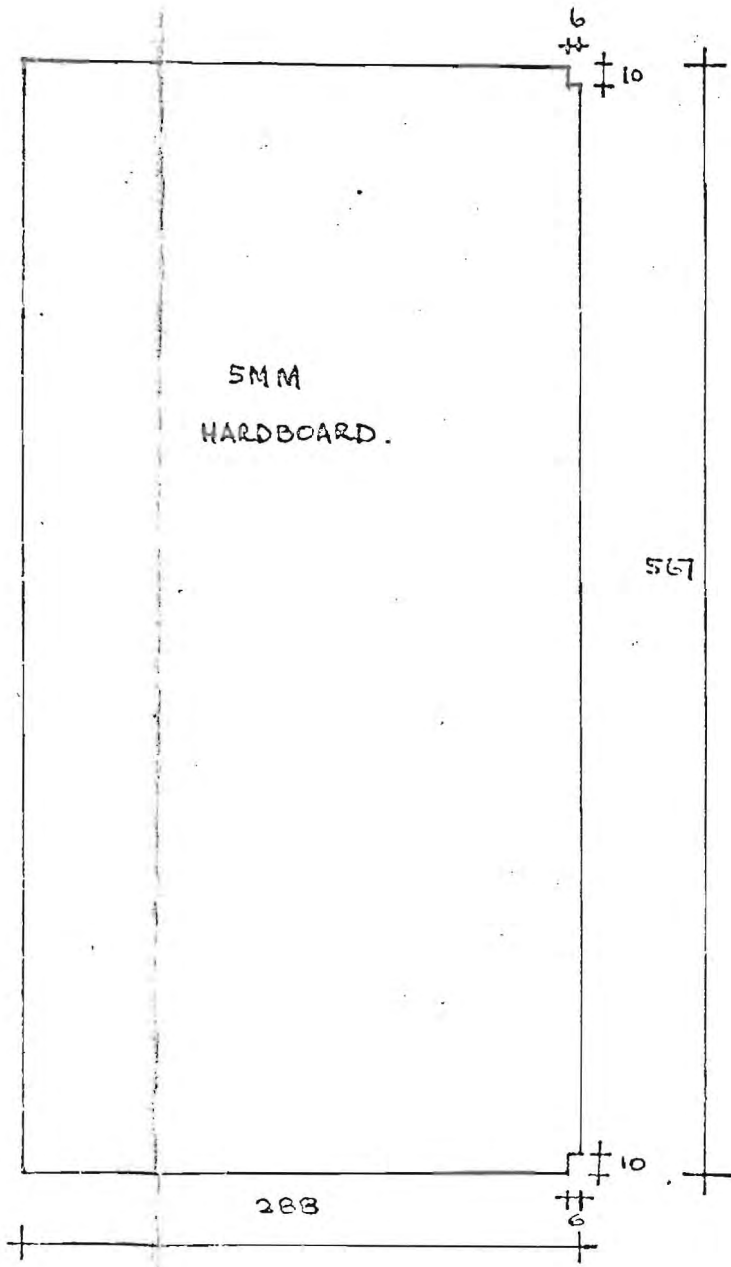
Barry-Waters-And-Peter-Phillips-Showcase-Design

Doris McPherson 6

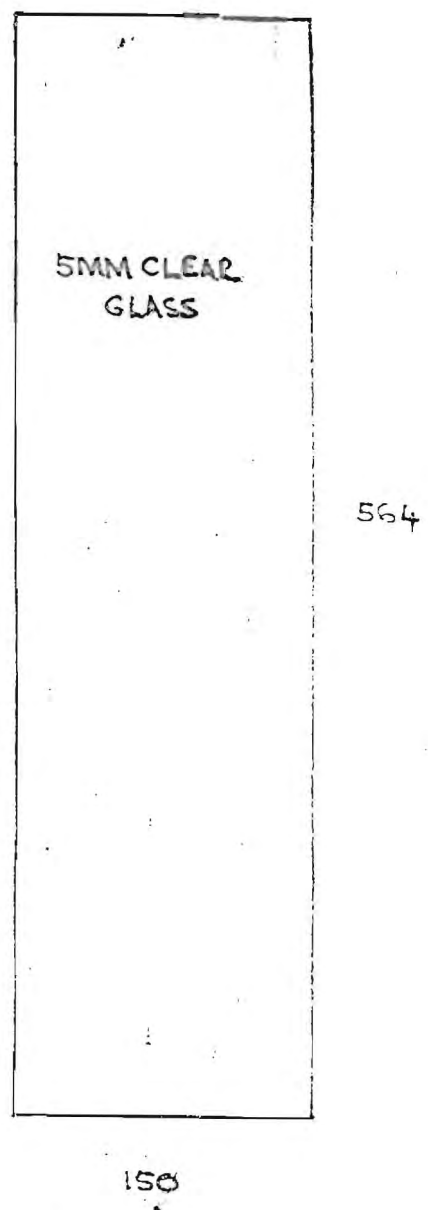
SIDE 'B' AS ABOVE BUT OPPOSITE HAND



'A'
 ABOVE BUT OPPOSITE HAND.



BACK



GLASS SHELF

Doris McPherson 7